

INSTALLATION, USE AND MAINTENANCE (TRANSLATION OF THE ORIGINAL INSTRUCTIONS)

CHEFTOP-X BAKERTOP-X

DIGITAL  ID





SAFETY	4
INSTALLATION.....	14
USE.....	46
MAINTENANCE.....	48

CONTACTS

Contacts in your local area can be found on the back cover.

TECHNICAL DOCUMENTATION IN DIGITAL FORMAT

Documentation in digital format and the full user manual can be downloaded by logging in on the UNOX website:

<http://infonet.unox.com> | <http://unox.com>.

Register on the portal and enter the following information about your UNOX product:

- product code
- Serial number

Both can be found on the data plate on the side of the prover (page **37**).

MANUAL AVAILABILITY IN DIFFERENT FORMATS

This instruction manual is available in alternative formats (e.g. on the website). Please contact the manufacturer.



Dear Installer and Customer,

This manual contains all the information you need to install, use and maintain this appliance correctly.

Please read it carefully before assembling the appliance and store it safely for future reference.

Please contact the manufacturer for further information or if any of the content has not been understood.

Safety

Pictograms 4

Safety information for installing the appliance 5

Safety information for using the appliance and performing ordinary maintenance 8

PICTOGRAMS



Read the instruction manual



Danger! Situation presenting immediate danger, or a hazardous situation which could cause injury or death.



Risk of fire!



Risk of electric shock!



Risk of burns



Tips and useful information



Consult another section



Earthing symbol








Equipotential symbol




The manufacturer has the right to make changes to improve the appliances and accessories at any time and without advance notice. Full or partial reproduction of this manual is prohibited without the consent of the manufacturer.

The measurements provided are approximate and not binding. In the event of disputes, this document was originally written in Italian. The manufacturer is not responsible for any translation/interpretation errors.

SAFETY INFORMATION FOR INSTALLING THE APPLIANCE



General precautions

-  Please read this manual carefully before installing the appliance.
- Please store this manual carefully so that it is available to other operators for future reference.
-  Failure to comply with the safety regulations, or any installation or maintenance other than those indicated in this manual:
 - invalidates the warranty*
 - may cause damage, harm or fatal accidents
 - relieves the manufacturer of all liability.
-  Interventions, tampering or modifications which have not been expressly approved and which do not comply with the instructions in this manual could cause damage, injury or death, and void the warranty*.
-  Only qualified personnel authorised by the manufacturer may carry out installation and non-routine maintenance work. Comply with system and safety regulations in force in the country the appliance is installed in.
- In this instruction manual, the term “appliance” refers to the provers in the BAKERTOP-X™ range.
-  Before starting installation or maintenance work:
 - Disconnect the appliance from the power supply and/or switch off the prover
 - Shut off the water power supply valve
 - check the systems are compliant with the installation standards in the specific country of use and with the specifications indicated on the appliance rating plate
 - Make sure any hot parts of the machine are room temperature.




-  During installation and maintenance, use the personal protective equipment (PPE) required by the safety regulations in force in the country where the appliance is installed (e.g. protective gloves, safety shoes, dust masks with filters).
-  When the appliance is being fitted and during transportation, only those involved in the task may pass through or occupy the work area.
- When transporting the appliance:
 - use suitable methods according to the appliance size and weight
 - wear personal protective equipment (PPE) e.g. gloves and safety shoes.
- If the appliance is installed on a mobile base or stacked:
 - only use components supplied by the manufacturer
 - Follow the assembly instructions contained in the packaging.
-  The packaging material is a potential hazard. Keep it out of the reach of children and animals. Dispose of it in compliance with the regulations in force in the country where the appliance is installed.
- Do not remove, damage or modify the ratings plate. The ratings plate provides important technical information required when requesting maintenance repair work on the appliance.
- The installer must never alter parts protected by the manufacturer or its agent.
- Only qualified personnel authorised by the manufacturer may carry out repair work.
- Keep clearance space around the appliance. Please see the relevant section on page **22**.
- In the event of non-routine maintenance, it must be possible to move the appliance. Any work performed after installation (e.g. building walls, replacing doors


with narrower models, renovation work) must not prevent the appliance from being moved.

Warnings for the electrical connections

-  Before installing the appliance, check that the systems respect the regulations in the country where the appliance is used and with the ratings plate.
-  The connection to the electricity mains:
 - Must respect the regulations in force in the country the appliance is installed in
 - must be performed by qualified personnel authorised by the manufacturer.

Failure to comply with these indications may cause damage and injuries, invalidates the warranty and relieves the manufacturer of all liability.

-  Connect the appliance directly to the power supply, without using extensions or couplings. If the appliance is connected to an electrical panel, or if the power socket is not easily accessible, use an all-pole circuit breaker to disconnect it from the mains. This switch must:
 - Be located in an easily accessible place
 - Be installed in compliance with the regulations in force in the country where the appliance is installed
 - Enable full appliance disconnection in category III over-voltage conditions.
-  Every appliance must have an earth connection. Use a single, seamless cable, without interruptions (including the circuit breaker).
-  Each appliance must be included in an equipotential bonding system that complies with the regulations in force in the country where the appliance is installed.




-  If the power supply cable is damaged, it must be replaced by the Manufacturer, its service centre or qualified personnel to prevent hazards. The power cable must be replaced with a cable with the same characteristics, equipped with a yellow and green earth connection.




Warnings for the plumbing connections

- Use the set of new couplings (provided with the appliance) to connect the appliance to the water mains. Do not re-use previously used couplings.

SAFETY INFORMATION FOR USING THE APPLIANCE AND PERFORMING ORDINARY MAINTENANCE





General precautions

-  Read this manual carefully before using and maintaining the appliance.
- Please store this manual carefully so that it is available to other operators for future reference.
-  Failure to comply with the safety regulations, and any use or maintenance other than those indicated in this manual:
 - Invalidates the warranty*
 - May cause damage, harm or fatal accidents
 - Relieves the manufacturer of all liability.
- In this instruction manual, the term “appliance” refers to the probers in the BAKERTOP-X™ range.
-  Supervise children and make sure they do not play with the appliance.
- Children over 8 years of age, people with reduced physical, sensory or mental capabilities, or people lacking experience or the required knowledge may use the appliance provided that:





- they are supervised
- or
- They have received instructions on how to use the appliance safely and have understood the inherent dangers.
- This appliance must be used exclusively:
 - by qualified personnel that attend scheduled training courses;
 - combined with all **DIGITAL**  ID ovens for food leavening.
- The maximum weight allowed for each tray is 5 kg; heavier loads damage the trays and side metal guides.
- User cleaning and maintenance must not be carried out by unsupervised children.
- These appliances are intended to be used for commercial applications, e.g. in restaurant kitchens, canteens, hospitals and commercial enterprises such as bakeries, butchers, etc. Any use other than what has been indicated is considered improper. Improper use of the appliance is considered potentially dangerous for people and animals, may irreparably damage the appliance and voids the warranty.
- Always monitor the appliance during operation.
-  If the appliance is not working or if you notice any changes to the structure or operation:
 - Disconnect the electricity supply
 - Shut off the water power supply valve
 - contact a service centre authorised by the manufacturer
 - Do not attempt to repair it yourself.
-  If the appliance glass is chipped or damaged, do not use the prover: risk of exploding glass. Contact an authorised service centre immediately to have it replaced.
- Please request UNOX original spare parts for any repairs.

- Service the appliance at least once a year at a service centre authorised by the manufacturer. This ensures the appliance is safe and in perfect condition for use.
- The appliance emits a sound level of below 70 dB.
- The first time you use the appliance, some of the oils used for manufacturing may evaporate and produce fumes or unpleasant odours. These will gradually disappear as you continue to use the appliance.


Risk of burns and injury

- The floor can be slippery near the product.
-  While leavening and until all appliance parts have cooled, make sure to only touch the appliance control components or handle. The other external parts are extremely hot (temperature above 60°C/140°F).
-  To maintain optimum appliance performance, DO NOT open the door during leavening. If it is not possible to avoid opening the door, please do so very slowly and carefully. Pay attention to the hot steam coming out of the leavening cavity.
-  To handle and remove the bottom drain tray, the leavening trays and other objects inside the oven cavity:
 - Wear appropriate protective thermal clothing
 - Be extremely careful.
-  Do not place containers filled with liquids or products that liquefy when heated at higher levels than can be easily observed.





Risk of fire

- During leavening:
 -  Only put compliant objects (e.g. trays) inside the prover cavity
 - The prover cavity must not contain any detergent residues
- If you notice any smoke coming from the appliance, disconnect it from the electrical mains and shut off the water power supply valve. Keep the door closed to extinguish any flames.
-  Do not place sources of heat (e.g. grills, fryers, etc.), highly flammable substances or fuels (e.g. diesel, petrol, bottles of alcohol, etc.) near the appliance.
- Clean the prover daily and remove all food residue from the leavening cavity, as indicated on page **48**. Failure to clean the prover could deteriorate the surfaces and reduce the life of the appliance.
-  DO NOT put any type of tray, hot or cold container, or other objects on top of the prover, even if it is turned off.
-  DO NOT put highly flammable or heat-sensitive objects (e.g. plastic ornaments, lighters, etc.) near the appliance.

Risk of electric shock

-  Do not open the compartments marked with this symbol: only qualified personnel authorised by the manufacturer may open them. Failure to observe this indication invalidates the warranty* and may cause damage or injury including death.

Precautions for routine cleaning and maintenance

-  Only the user may clean the appliance and perform routine maintenance. Supervise children when cleaning the appliance.
- Routine maintenance must be performed:
 -  with the appliance disconnected from the electric power supply
 - after waiting for the capacitive components to discharge (**approx. 5 minutes**)
 -  with all appliance components at room temperature
 -  wearing suitable personal protective equipment (e.g. heat-resistant rubber gloves, eye protection) and in good mental and physical condition.
- Do not clean the appliance with pressurised water jets or steam.

* For further information, ► go to www.unox.com under the "Warranty" section

Installation

For qualified installers only

Precautions for transporting the appliance	14
Unpacking the appliance	16
Checking package contents	18
Technical data	19
Getting started	20
Positioning	20
Electrical connections	36
Plumbing connections	41
Connecting the oven with the prover	43

PRECAUTIONS FOR TRANSPORTING THE APPLIANCE



01

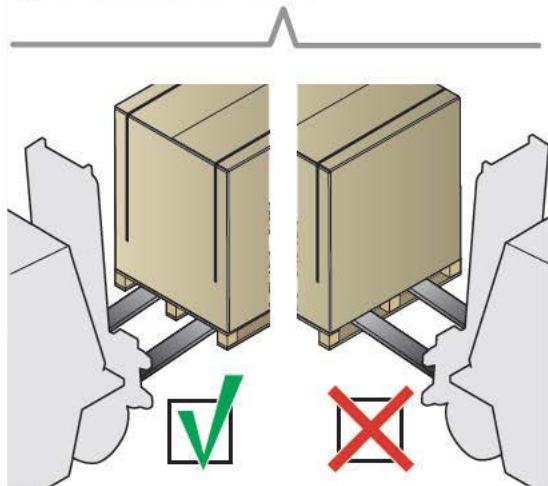
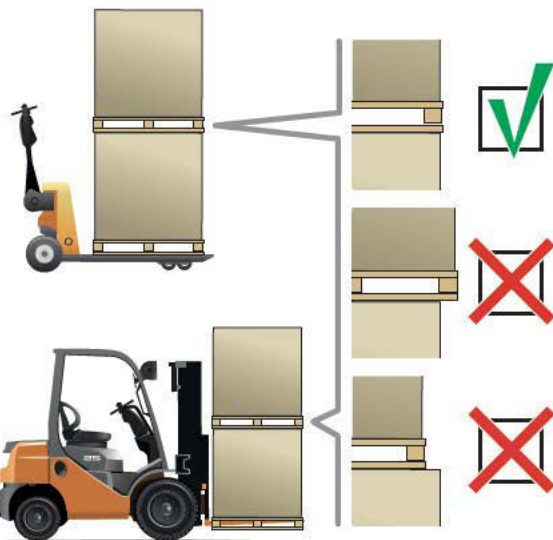
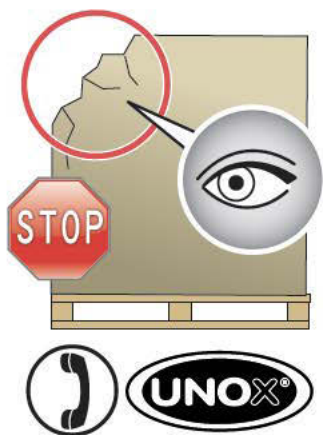
► The appliance, whether packaged or not, must be transported:

- in compliance with the safety regulations in force in the country of installation
- using mechanical equipment only (e.g. a pallet jack). **DO NOT** use belts and do not handle the appliance by dragging or pushing it
- by authorised and trained personnel in good physical and mental condition, equipped with PPE (personal protective equipment)
- Before transporting the appliance, first make sure that:
 - there are no people, animals or things in the manoeuvring area that could get in the way
 - there are no obstacles on the chosen route that may block the passage (e.g. very narrow doors)
 - the floor is perfectly smooth, level and even, able to bear the load, and not slippery.

You can stack a maximum of 2 appliances during transportation and storage.



The manufacturer shall not be held liable for any inconvenience caused by transportation carried out in any conditions other than those specified in this section.





UNPACKING THE APPLIANCE

02 ▶ If the packaging is visibly damaged, promptly contact the manufacturer. Do NOT continue opening the appliance.

Unpack the appliance as shown on the appliance box.

After unpacking the appliance, check there is no visible damage. If it is damaged, promptly contact the manufacturer and DO NOT install the appliance.

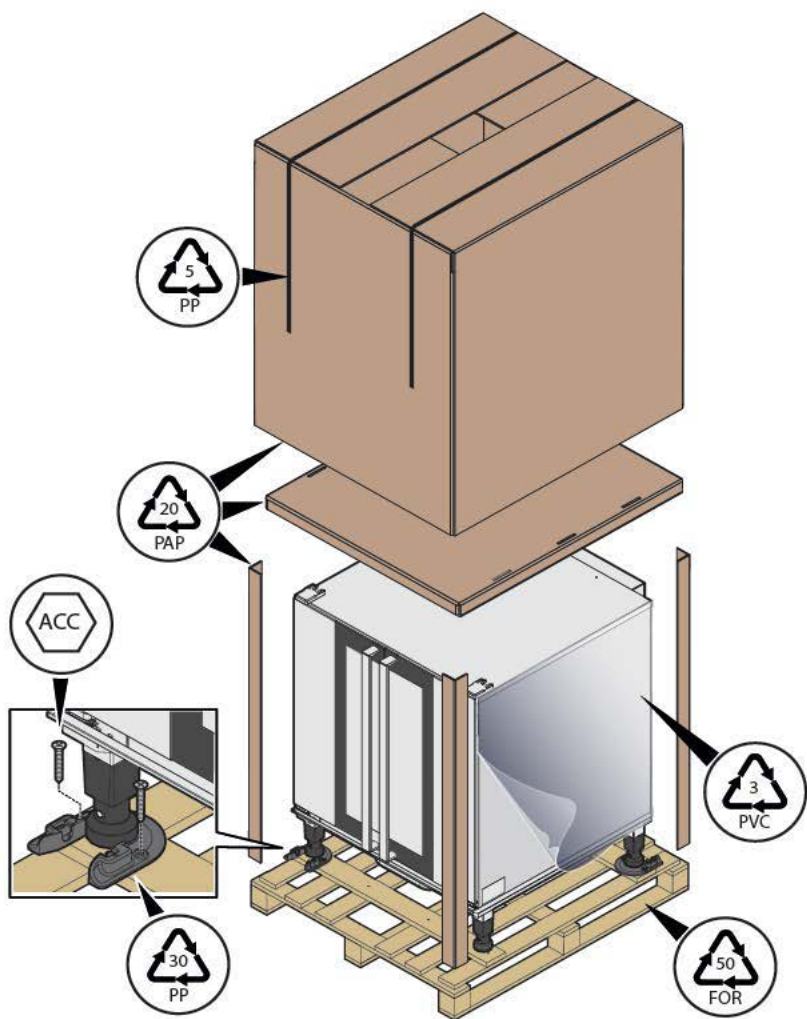
 The packaging material is potentially dangerous. It must be kept out of the reach of children and animals, and correctly disposed of in compliance with local regulations.

NON-STOP Efforts  UNOX has followed the NON-STOP Efforts philosophy for years, to increase the environmental compatibility of its products and reduce energy consumption and waste.

UNOX wishes to protect the environment and invites the consumer to dispose of waste in recycling bins, following the information displayed in the table below.

A | Packaging disposal

Pallets	Recyclable	material: wood marking: FOR 50
Cardboard boxes, cardboard corners and sheets of paper	Recyclable	material: paper marking: PAP 20
Straps	Not recyclable	material: polypropylene marking: PP 5
Leg locks	Recyclable	plastic marking: PP-FV30
Fixing screws	Recyclable	galvanised steel marking: FE40
Protection films	Recyclable	material: polyvinyl chloride marking: PVC3



CHECKING PACKAGE CONTENTS

03 ► Before installing the appliance, check that the following components are included in the package and are undamaged:

1 BAKERTOP-X™ prover set up for:

- Electrical connections
- Plumbing (water supply tube already fitted)

2 Starter kit containing:


2a Technical documentation (use and installation manual, “Technical specifications” sheet)

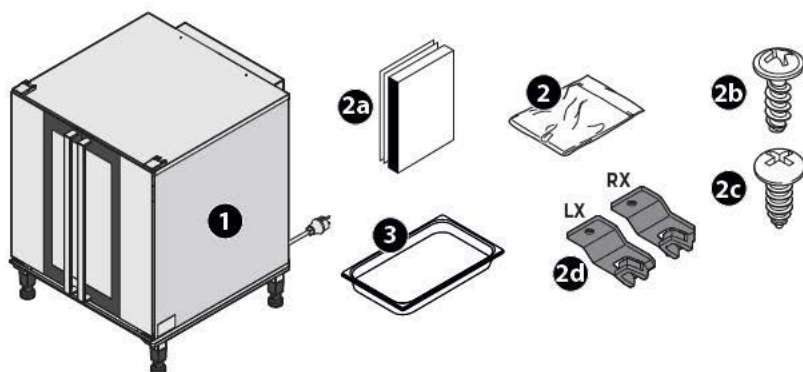
2b no. 4 screws for plastic 4X12 TPBS+ ZN-NI ► page 27

2c no 2 self-tapping screws 4.2X11 TCS+ MARUTEX ► page 30 / 34

2d Components no. 1 x VP1526A x1 - no. 1 x VP1529A ► page 27

3 ATG825 tray

 If a component is missing or damaged, do not install the appliance. Please contact the manufacturer.

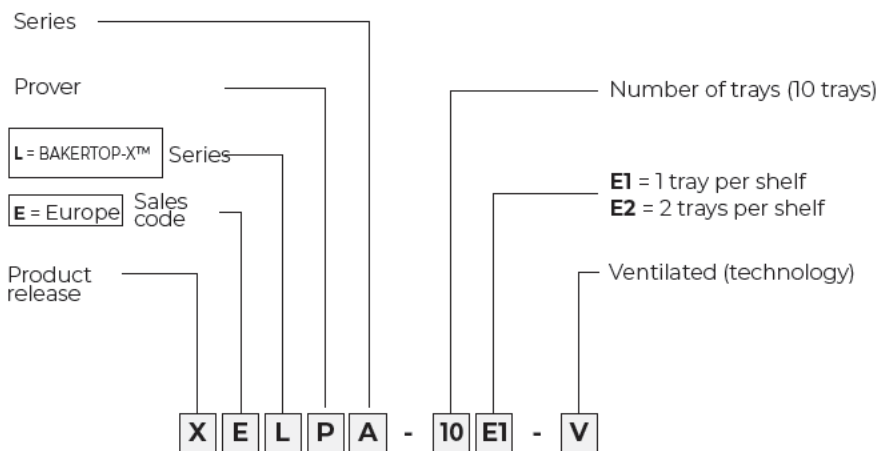


TECHNICAL DATA

Prover model and type DIGITAL ID		Size			Net weight [kg]
		Width [mm]	Depth [mm]	Height [mm]	
XELPA-10E1-V	EU	860	935	1113	78.5
XELPA-10E2-V	EU	860	1075	738	61.5

For additional technical information on the appliance, please consult the "Technical Specifications" sheet enclosed with the appliance.


Code key



GETTING STARTED

04 ▶ Removing the protective film

Slowly remove the protective films from the appliance. Clean any glue residue using an appropriate solvent without using tools, abrasive detergents or acids that could spoil the surfaces.

 Keep the films you remove out of the reach of children or animals, as they are a potential hazard.

Dispose of films according to local regulations (material: polyvinyl chloride / marking: PVC3).
Positioning



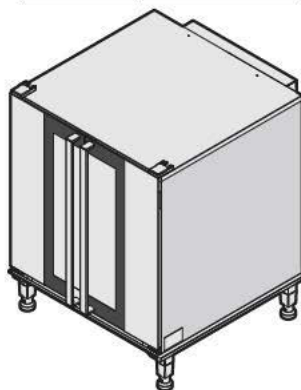
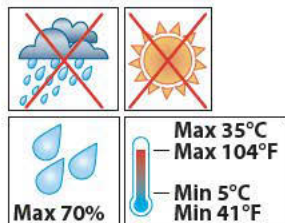
04

POSITIONING

Installation area requirements

05 ▶ Install the appliance in areas:

- Dedicated and suitable for handling foodstuffs
- That are adequately ventilated
- that comply with the laws in your country regarding system safety/ safety in the workplace
- Protected from the weather
- At a temperature of between 5 °C and +35 °C (41°F and 104°F)
- With humidity below 70%.



05

The installation area must be equipped with electrical and plumbing systems. These systems must comply with the regulations on systems and occupational safety in the country of use.

06 ► Indicative measurements for the setup:



electrical connections



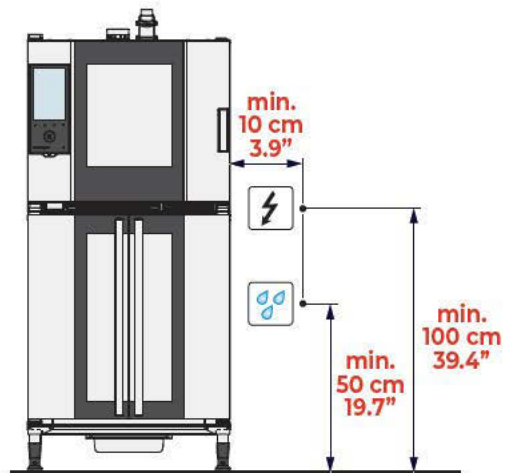
plumbing connections

Requirements for the supporting floor

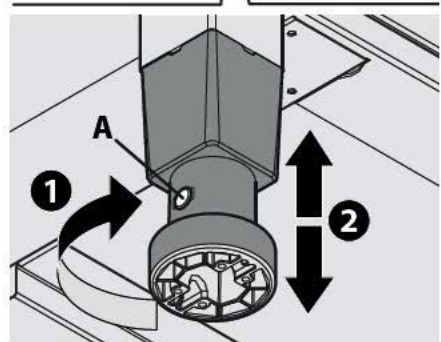
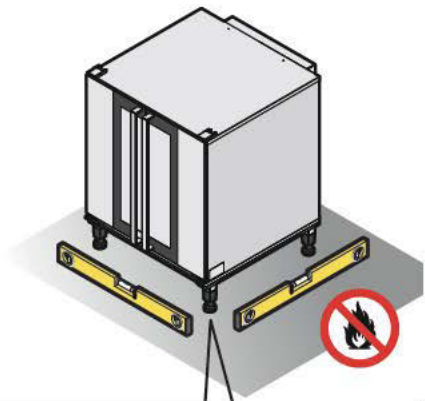
The **floor** beneath the appliances must be:

- Stable and perfectly level
- Level and even
- NOT flammable
- Fireproof
- NOT heat-sensitive
- Able to support the appliance weight at full load without deforming or experiencing structural failure

07 ► If the supporting floor is not perfectly levelled, you can gain 3 cm by tightening or loosening the supporting feet. To make the operation easier, insert a screwdriver in the hole under cap A and use it as a pivot lever.



06



07

► Installation clearance

Position the appliance observing the clearance and buffer space shown in the figure. The back of the appliance must be easily accessible for hook-ups and maintenance.

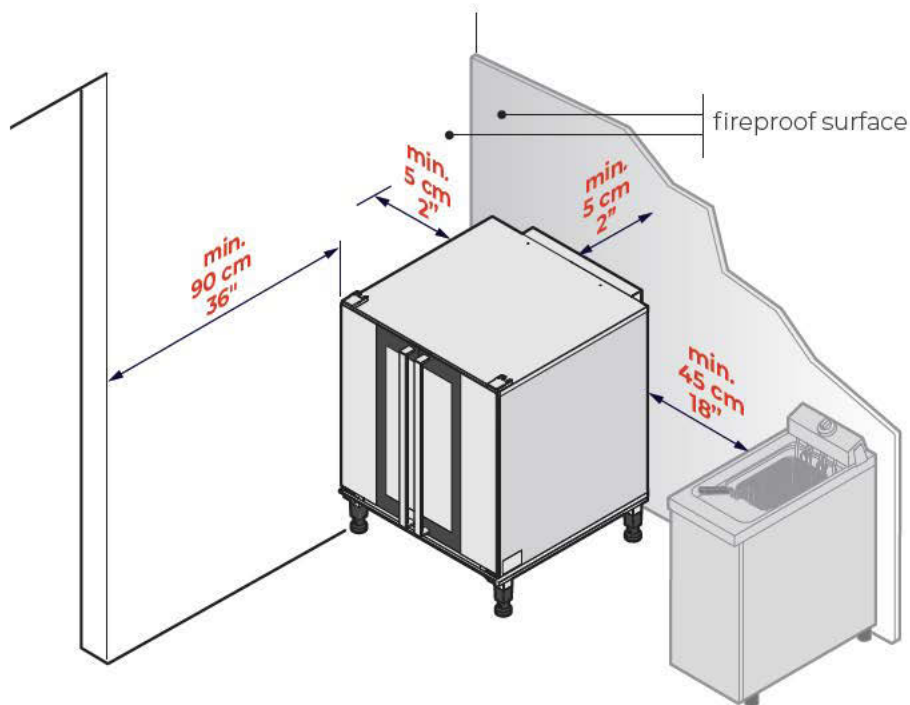


The appliance is not suitable for recessed installation.



Do not install the appliance near:

- Appliances that reach high temperatures
- Easily flammable or heat-sensitive materials, walls or furniture. If this is not possible, a panel with a fireproof surface must be installed, in accordance with local fire prevention regulations.




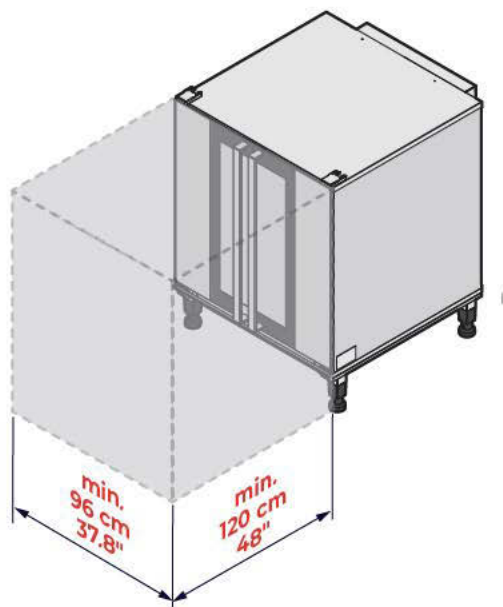
09 ▶ Buffer zone

The area in front of the appliance – the buffer zone – must be left free of objects.

The buffer zone allows for:

- the door to be fully opened
- The trays to be inserted and removed safely.

 When inserting and removing trays, only the person performing the task may be stationed in the buffer area.



10 ▶ Positioning

The appliances **must be placed on the floor.**


under the ovens of the **DIGITAL**  range

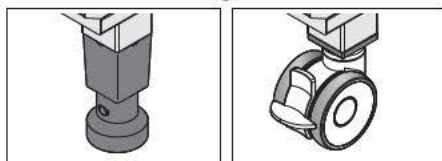
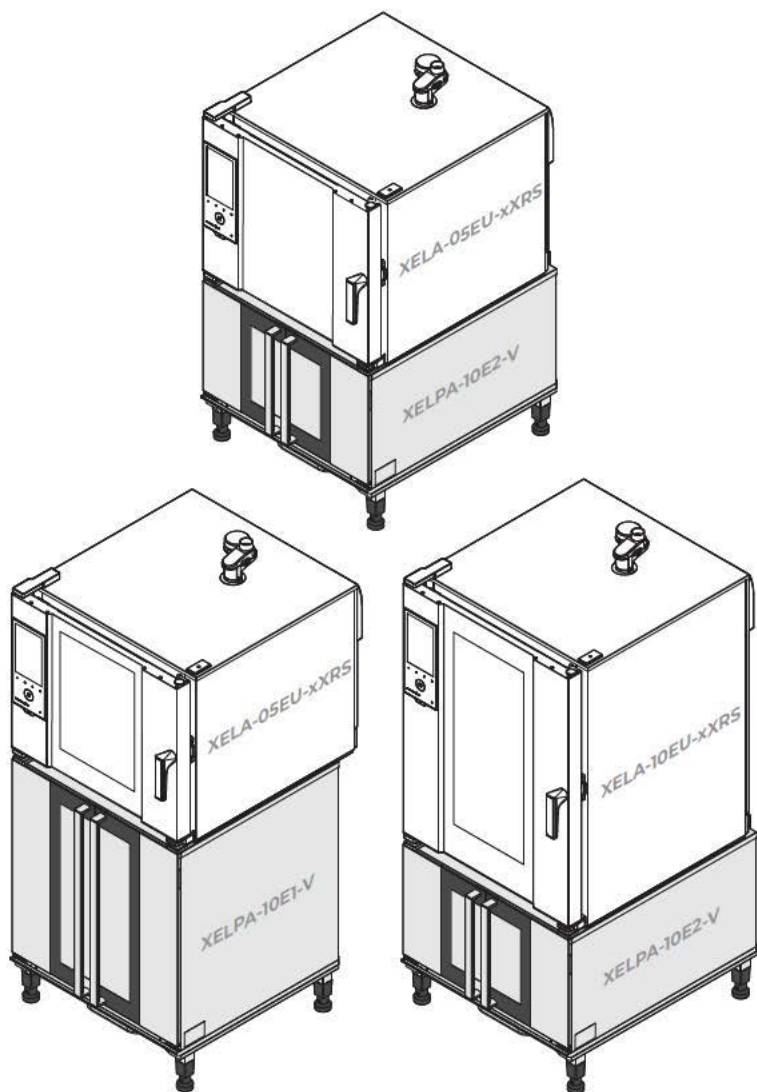
Oven	Combined prover	Oven tray number and type
XELA-05EU-xXRS	XELPA-10E1-V XELPA-10E2-V	5 trays 600x400
XELA-05EU-xXLS		
XELA-10EU-xXRS	XELPA-10E2-V	10 trays 600x400
XELA-10EU-xXLS		

To connect the prover with the oven, you must use the UNOX stacking kit. This kit maintains the proper distance between the two appliances and simplifies the electrical and plumbing connections.

The stacking kit includes a MICROFIT 4-way male cable.

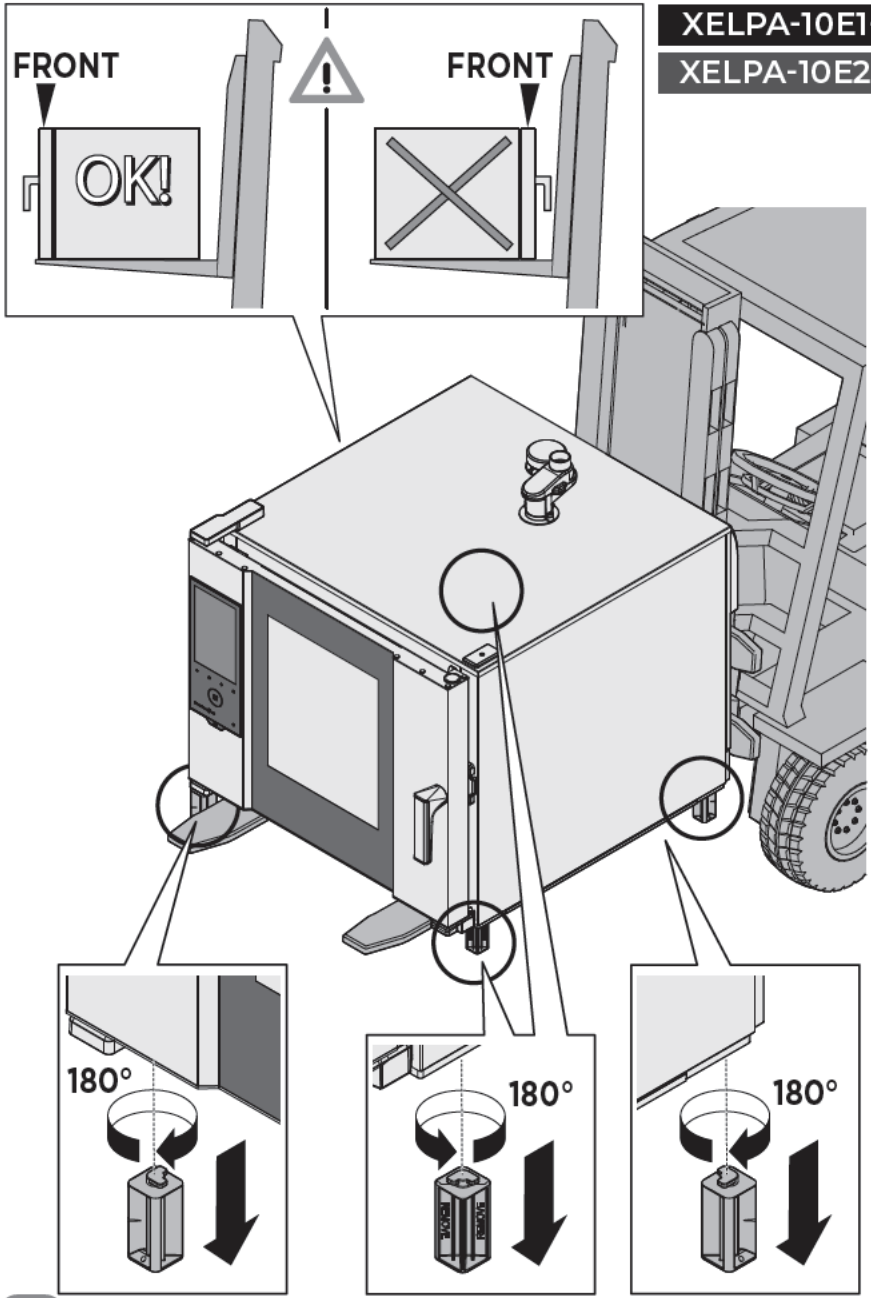
 **The prover should never be placed immediately above other provers or other sources of heat.**

 For detailed information on assembling UNOX stacking kits, please see the instructions included in the relevant package.



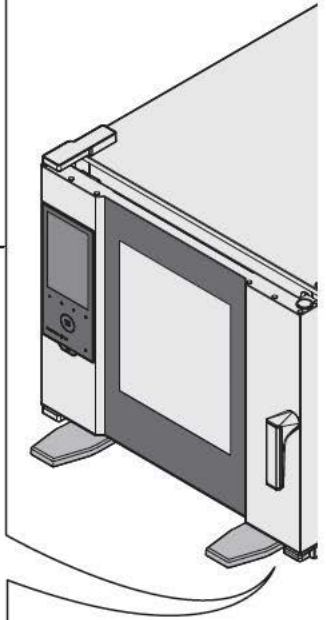
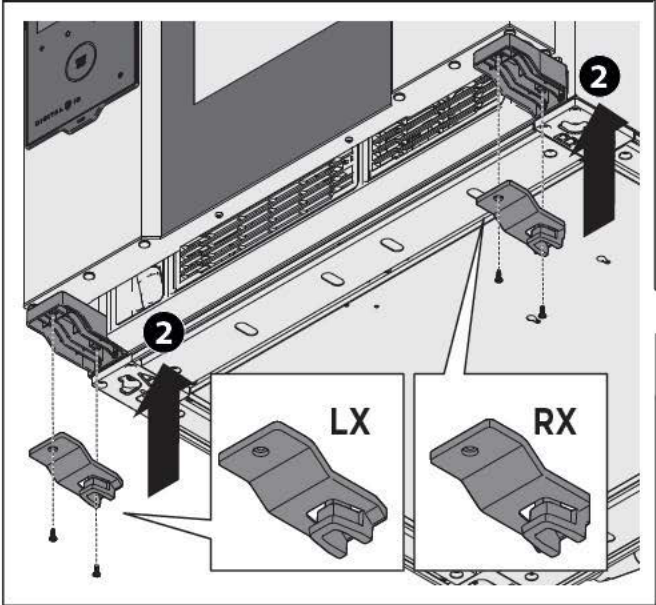
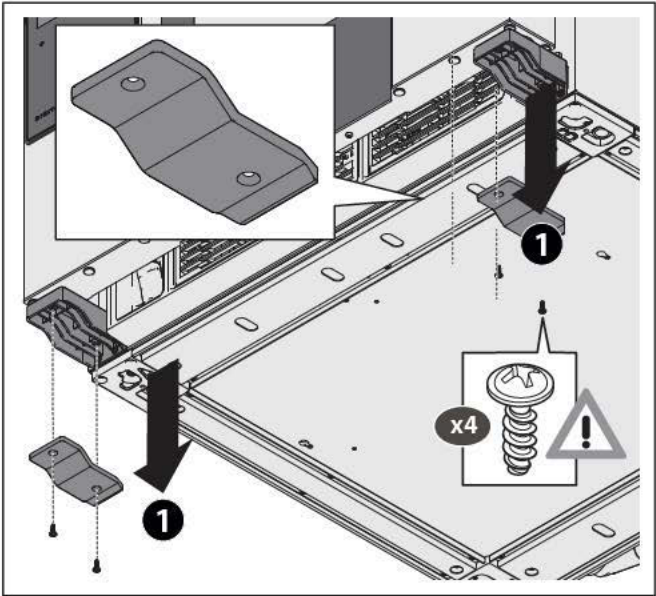
Column installation

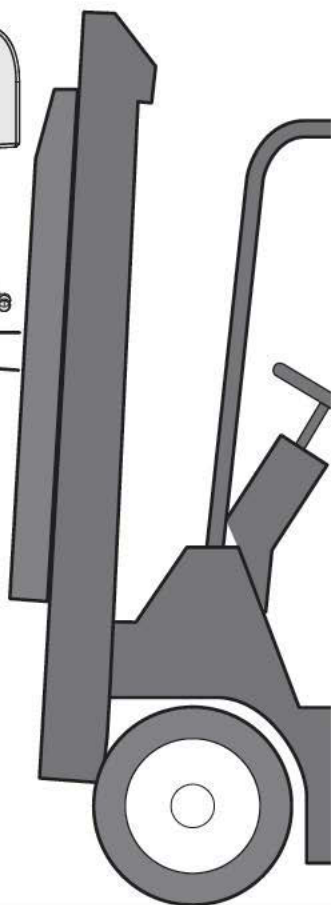
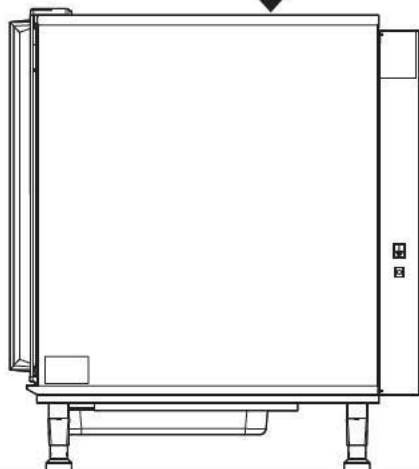
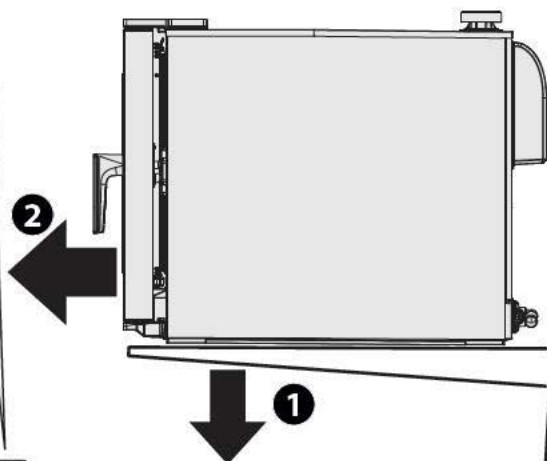
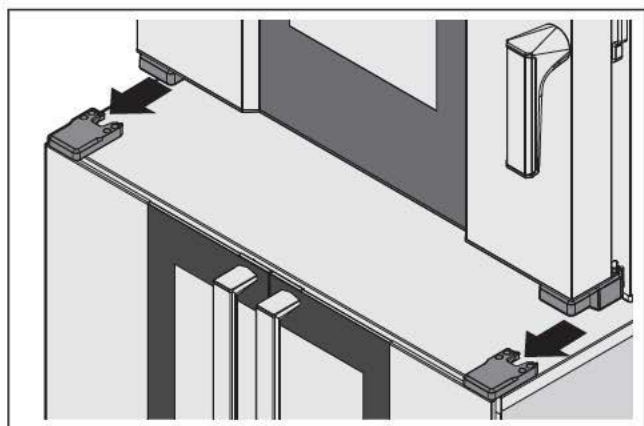
XELPA-10E1-V
XELPA-10E2-V



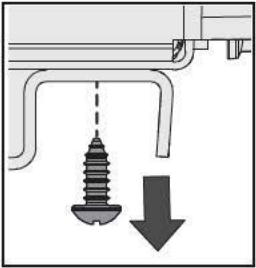
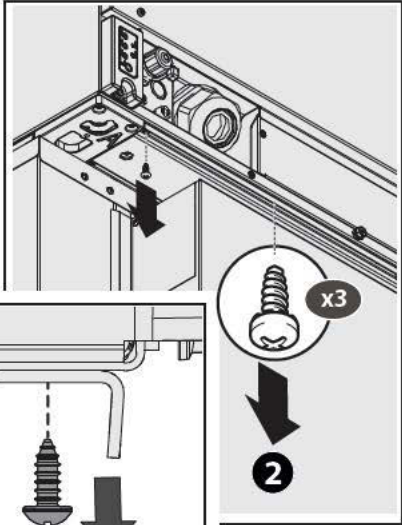
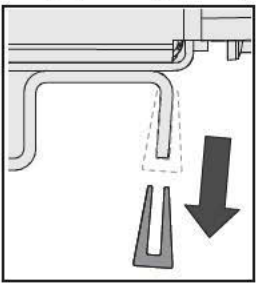
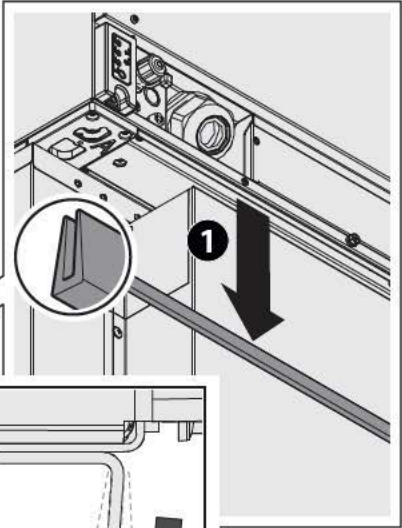
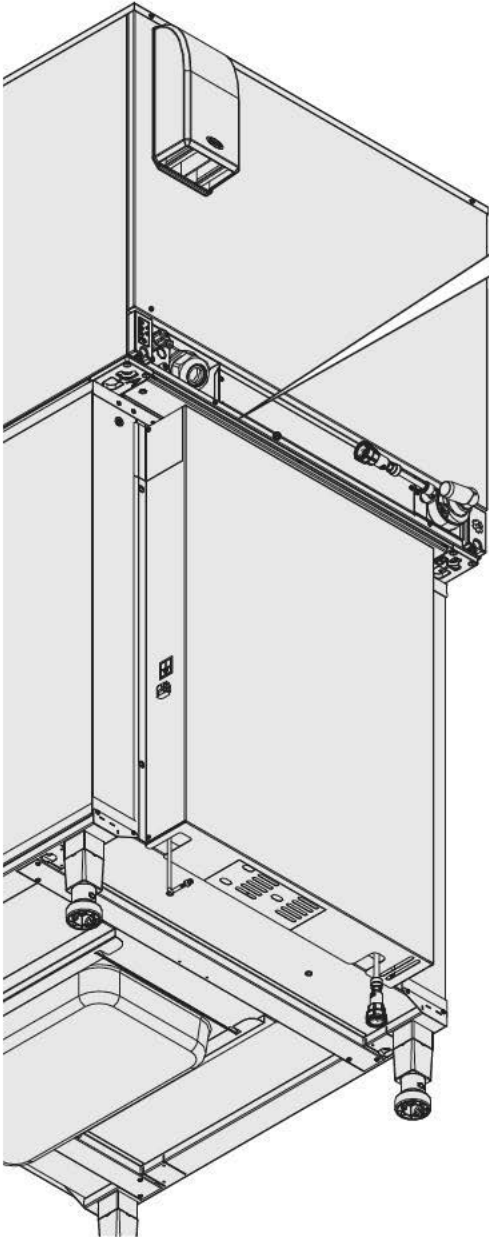
XELPA-10E1-V

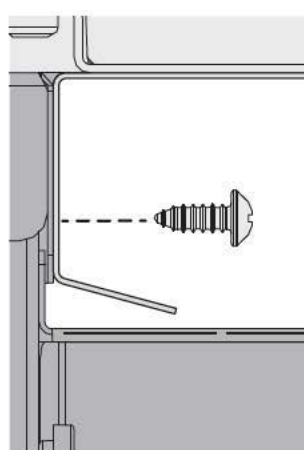
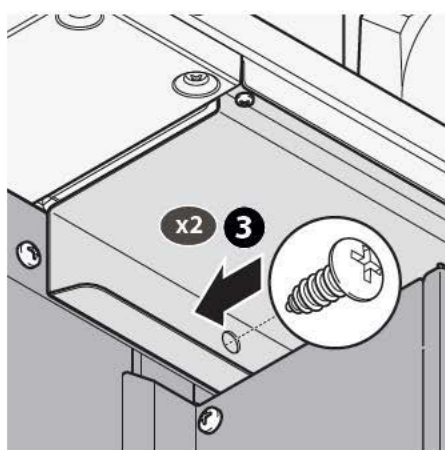
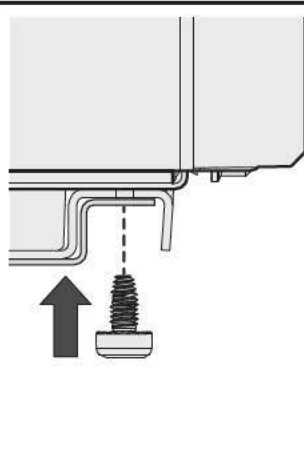
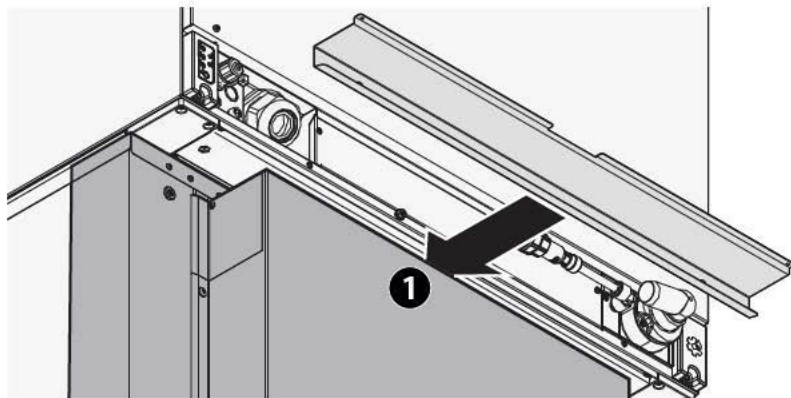
XELPA-10E2-V



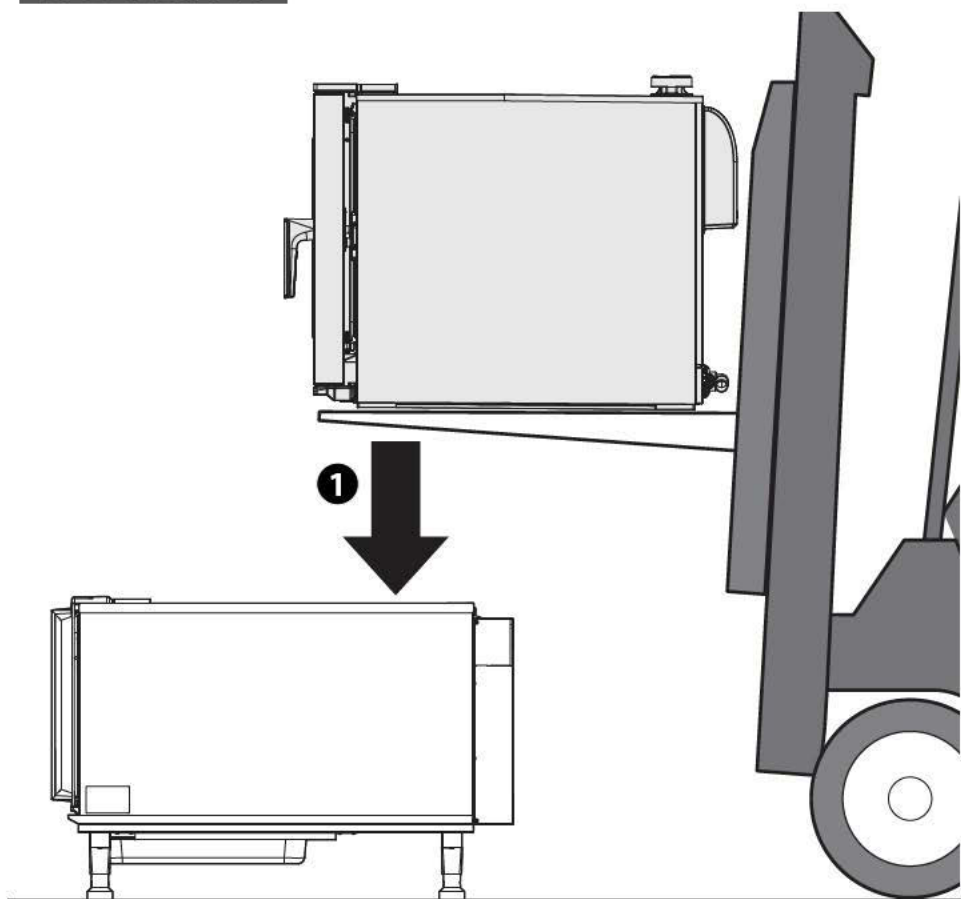


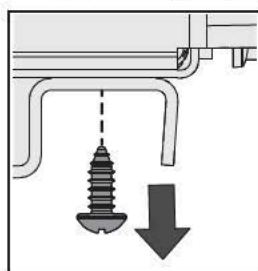
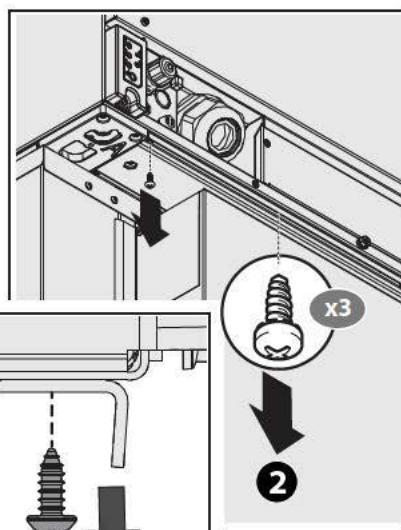
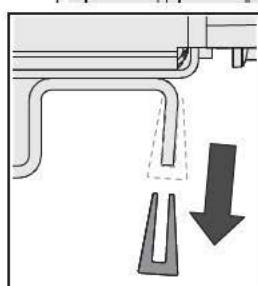
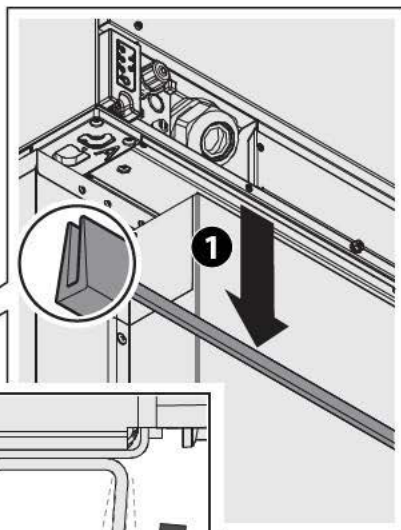
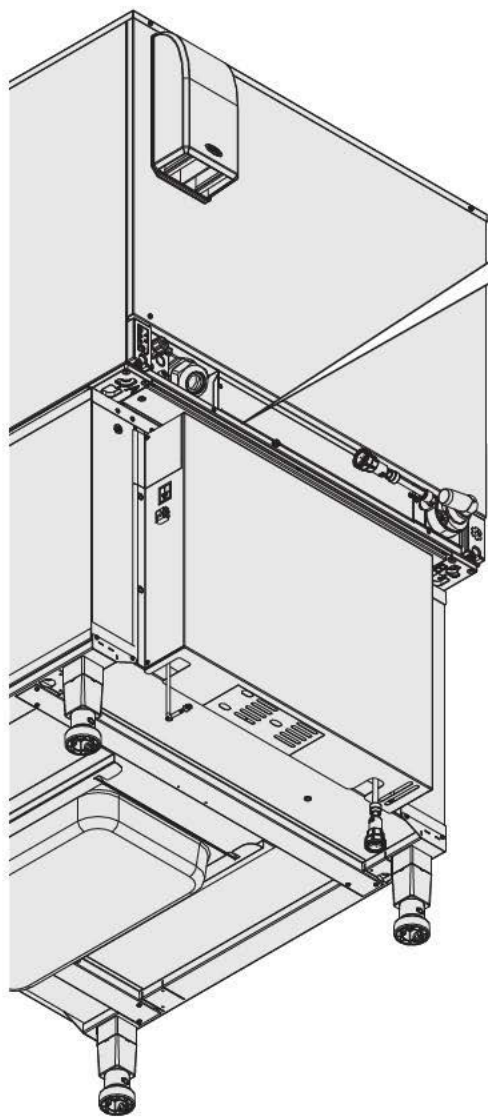
XELPA-10E1-V



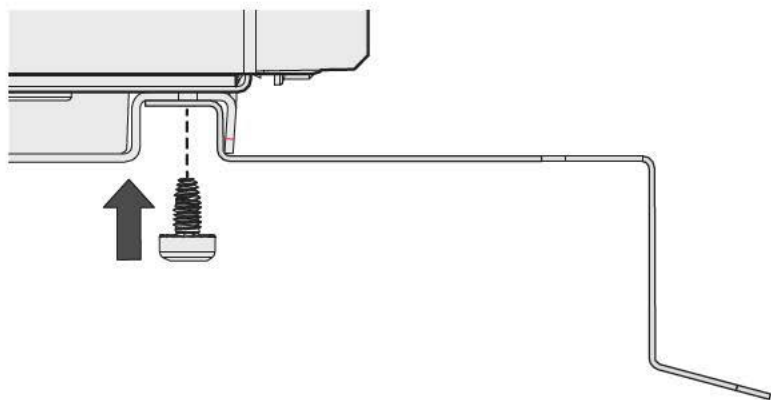
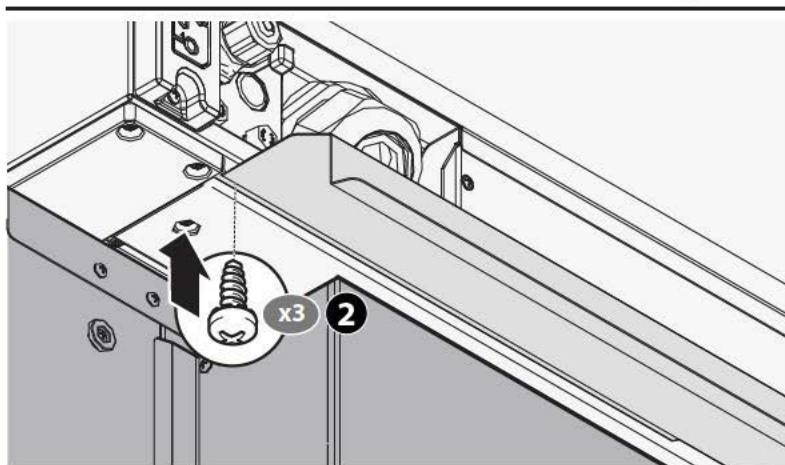
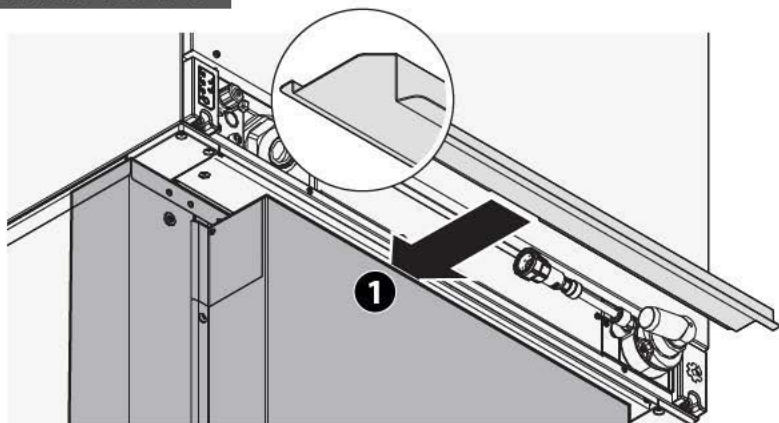


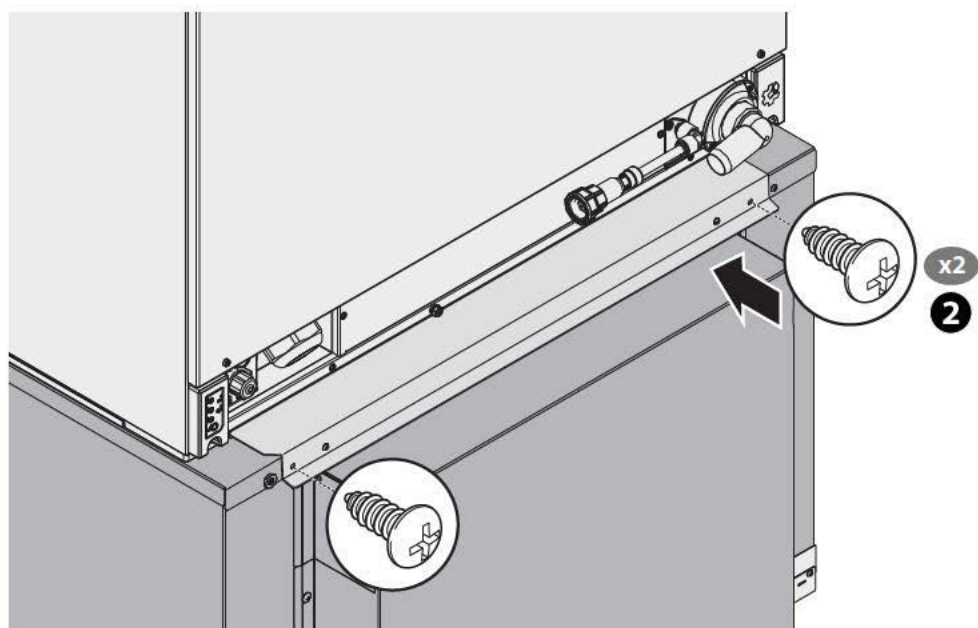
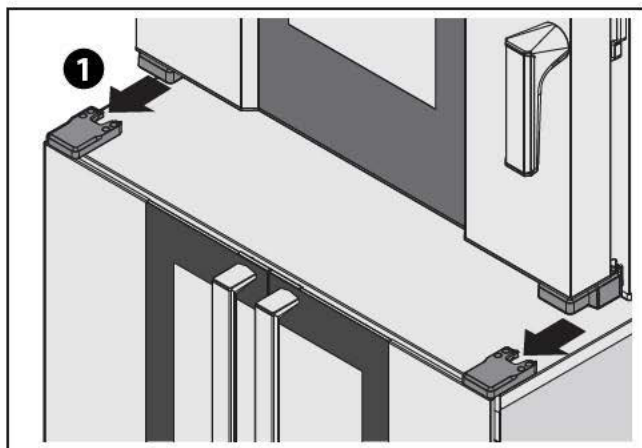
XELPA-10E2-V





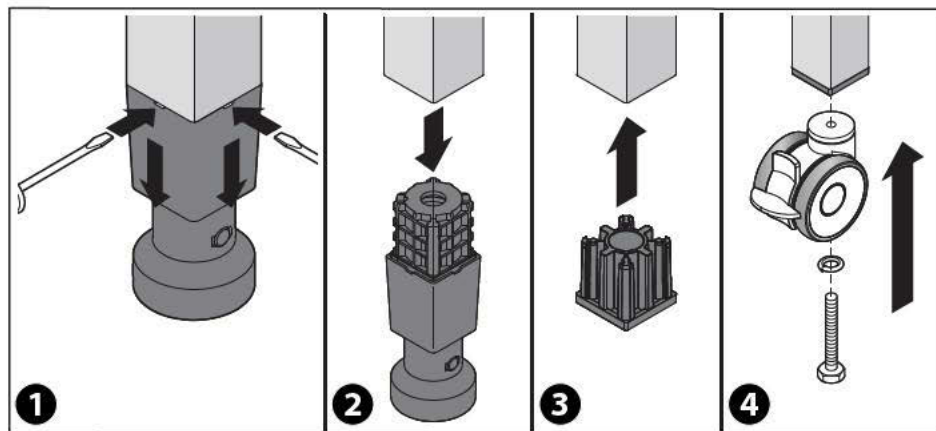
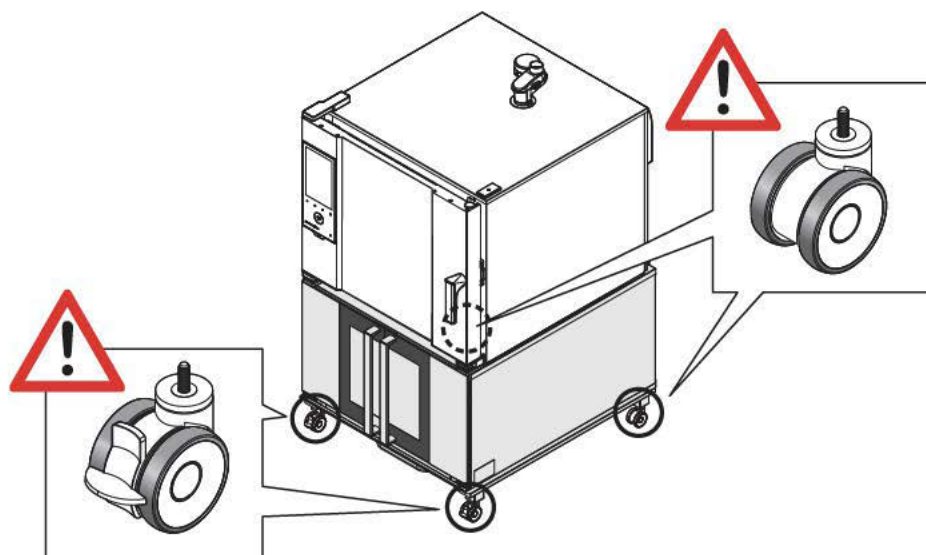
XELPA-10E2-V









20 ▶ Handling the cooking column

To handle the cooking column, use the UNOX wheel kit (optional) to be requested to the Manufacturer.




ELECTRICAL CONNECTIONS

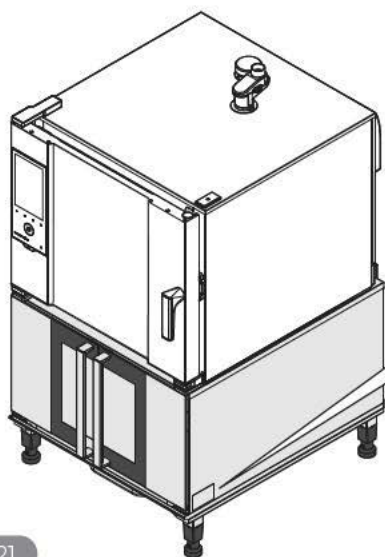
Safety precautions

-  Before installing the appliance, please read the "Safety" section on page 4 carefully.
-  Connections to the mains power and the electrical system must comply with the regulations in force in the country where the appliance is installed. Only qualified personnel authorised by UNOX can make the electrical connections. Failure to comply with these regulations may cause damage* and injuries, invalidates the warranty* and relieves UNOX of all liability.
-  ► Before connecting the appliance to the mains electricity, always compare the system data with the data specified on the ratings plate.
-  The wiring diagrams, wire specifications and the technical data are indicated on the "Technical specifications" sheet attached to the appliance.

For the electrical connections to be correct, the appliance must be:

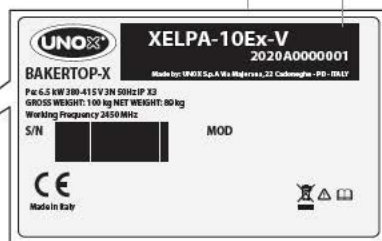
-  ► Wired into an equipotential system in accordance with current regulations. This connection must be made between different appliances with the terminal marked with the equipotential symbol. The cable must be green and yellow and have a maximum cross-section of 10 mm² (CEI standard EN 60335-2- 42:2003-09)
- Connected to the mains earth (yellow and green wire)
- Connected to an earth-leakage circuit breaker, as per the regulations in force in the country where the appliance is installed.

* For further information, ► go to www.unox.com under the "Warranty" section

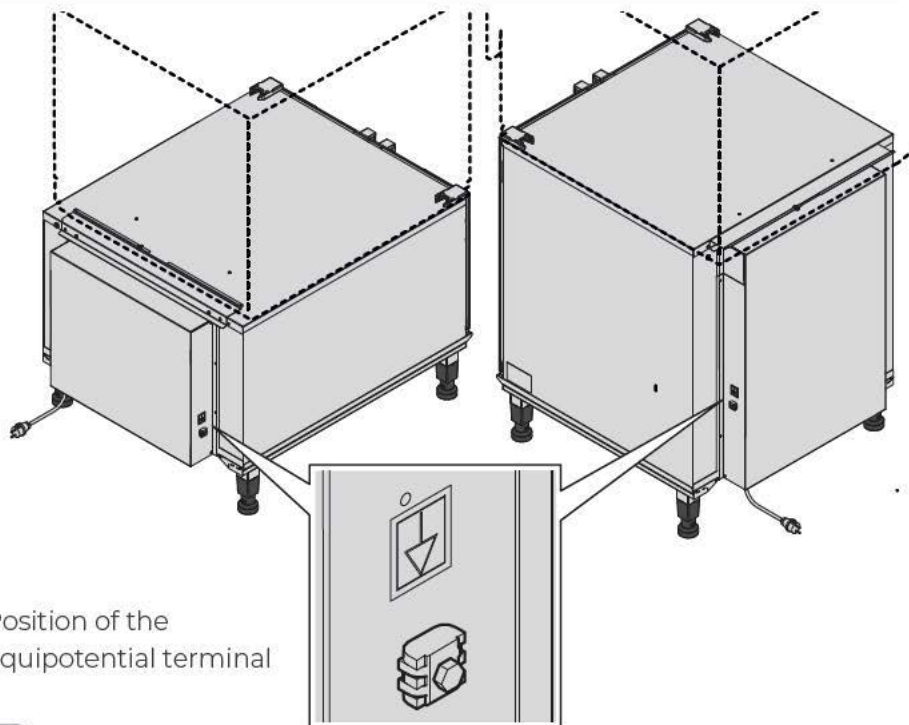


serial number

product code



21




Position of the equipotential terminal

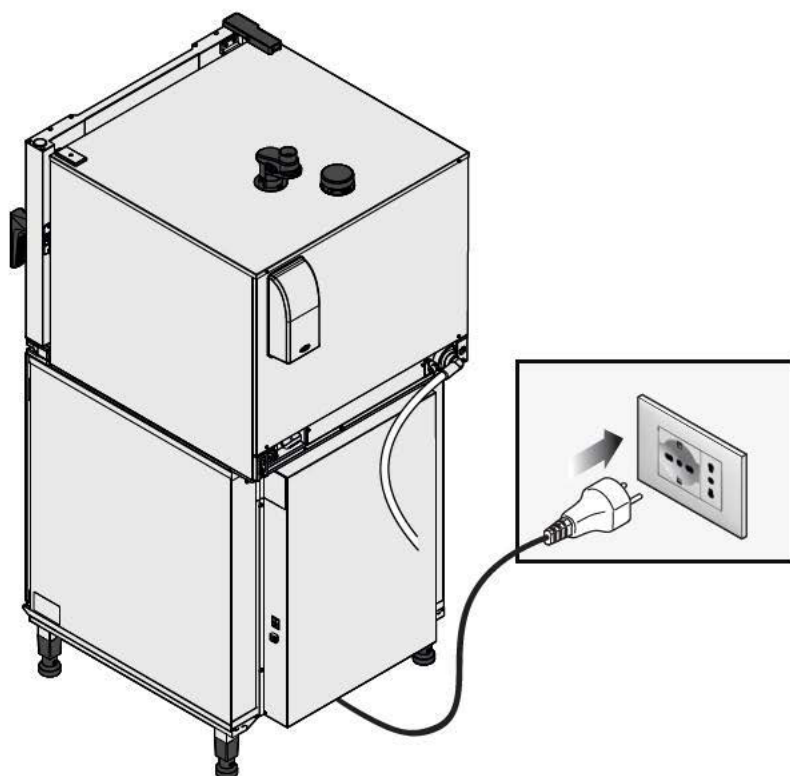
22

21 ► How to connect the electrics

The appliance leaves the factory with the power cable and a Shūko plug already fitted on the terminal board. Any other electrical connection or cable modification is not allowed.

The only operation allowed is replacing the cable with a longer one. The new cable must have identical characteristics as the original one (type of rubber, section, etc.).

 To avoid any risk, only a qualified technician authorised by the manufacturer or the manufacturer's service centre may replace the power cable (see section "Replacing the power supply cable" on page 40).



Checks to perform after connection


Check that:

- the copper jumper on the terminal board and the electrical cable are secured together under the screw
- the electrical connections are tightly secured
- there is no electrical dispersion between the phases and the earth, and there is electrical continuity between the external casing and the main earth wire
- When the appliance is operating, the supply voltage must not deviate from the nominal voltage value stated on the appliance ratings plate. If it does, wire the phases as specified on the "Technical specifications" sheet (Power supply - Connection Diagram) supplied with the appliance.

Adapting to different voltages


For power and voltage requirements that differ from standard values replace the power supply cable (see the "**Replacing the power supply cable**" section on page **39**) and connect the new cable to the terminal board, following the diagrams on the "Technical specifications" sheet (Power supply - Connection Diagram) supplied with the appliance.

Replacing the power supply cable


 To avoid any risk, only a qualified technician authorised by the manufacturer or the manufacturer's service centre may replace the power cable.

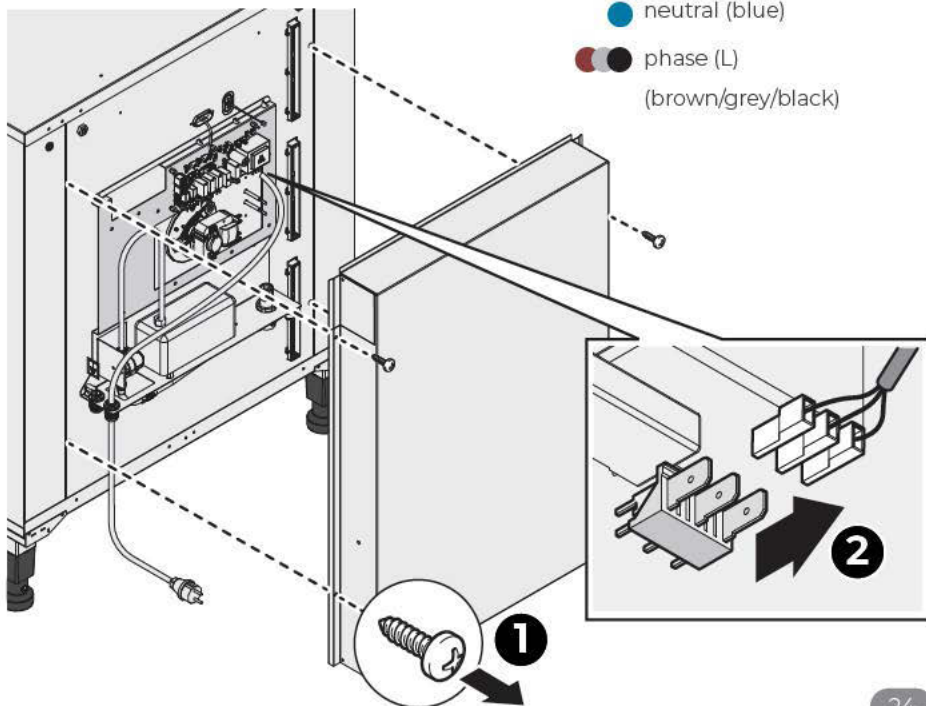
24 ▶ To replace the power supply cable:

- Remove the rear prover panel
- Disconnect the old cable from the terminal board
- loosen the cable gland and extract the old cable
- consult the "Technical Specifications" sheet. This contains the characteristics the new cable must have, according to the country of use (cable type)
- fasten the new cable to the terminal board according to the "Technical Data" sheet
- Secure the cable using a cable gland
- Close the rear panel of the prover again.

 ground (yellow/green)

 neutral (blue)

 phase (L)
(brown/grey/black)



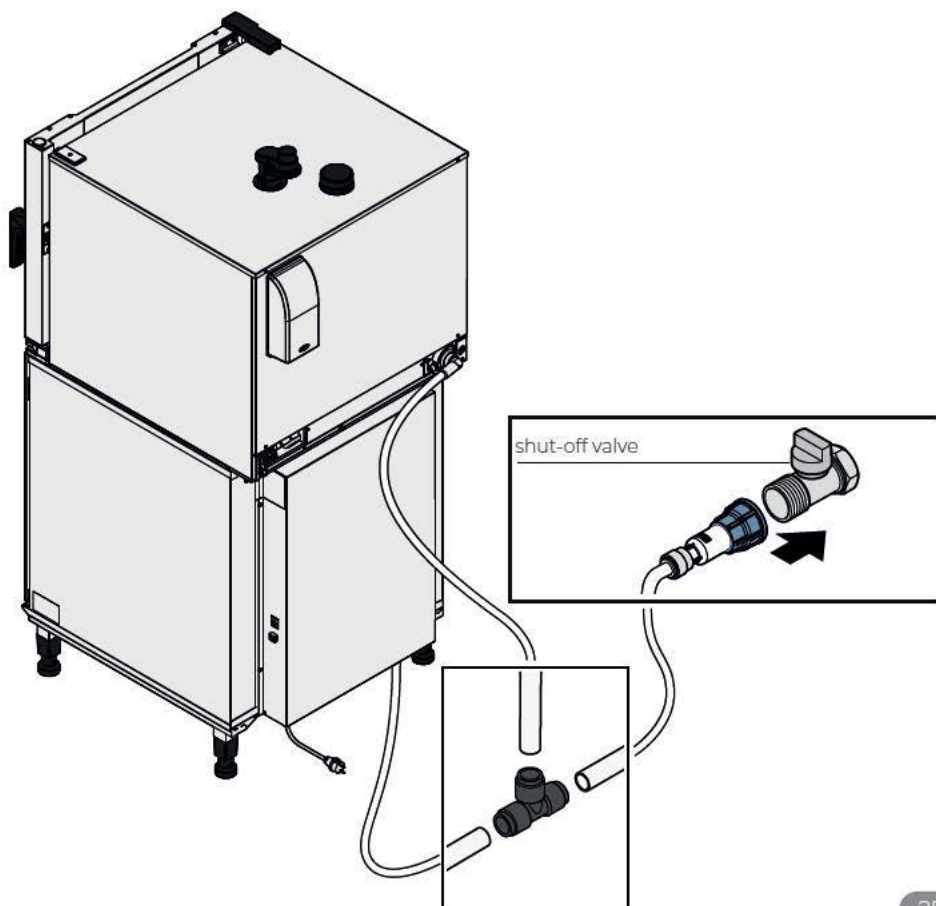
PLUMBING CONNECTIONS

Incoming water

25 ► There are 1.5 metres of hose at the rear of the appliance for plumbing.

+ Flush out the hose with water to remove any residue, then connect it to the appliance.

Use the set of new couplings (provided with the appliance) to connect the appliance to the water mains. Do not re-use previously used couplings.



Install a shut-off valve (not supplied) to block incoming water if needed.



Observe the indications on the incoming water characteristics and the installation specifications provided.

INCOMING WATER SPECIFICATIONS

Drinking water inlet: 3/4" NPT

Pressure: **21 to 145 psi | 1.5 to 10 bar** (recommended 29 psi | 2 bar)

Free chlorine ≤ 0.5 ppm


Chloramines $\leq 0.1^{\circ}$ ppm

pH: 7 - 8.5

Conductivity ≤ 1500 $\mu\text{S}/\text{cm}$

Total hardness (TH) ≤ 30 °dH

Chlorides ≤ 250 ppm

 To measure the total water hardness, use the **KSTR1082A kit** with equivalent instruments.

Where the total water hardness is ≤ 8 dH, if limescale is still produced, you must treat the water with suitable treatment systems.

We recommend using ion-exchange resin treatment systems.

Polyphosphate-based water treatment systems are not permitted.

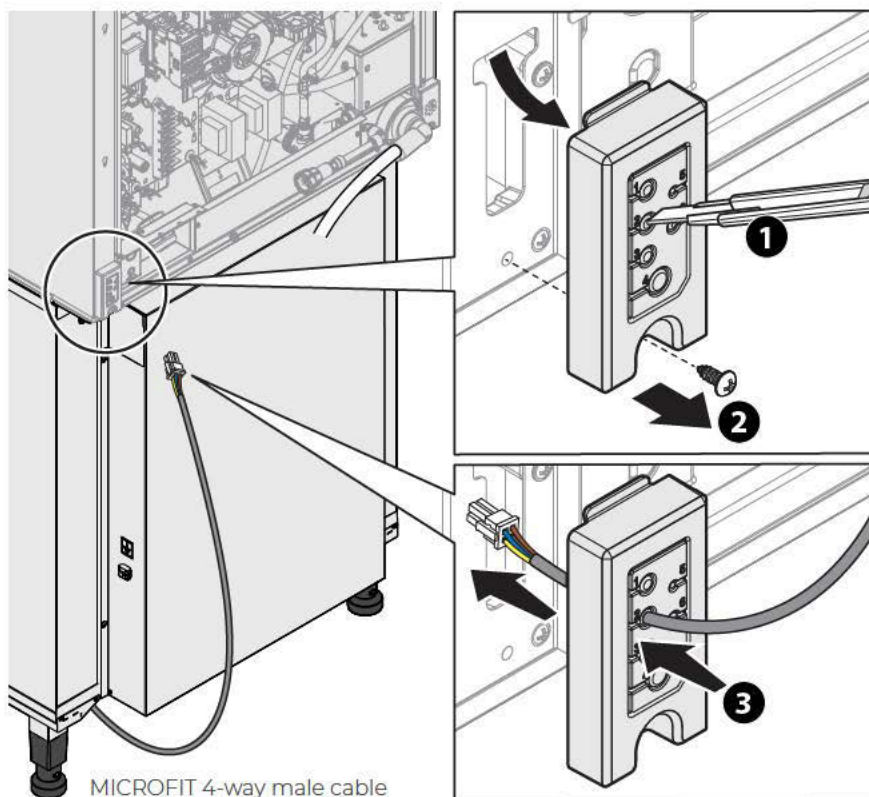
CONNECTING THE OVEN WITH THE PROVER

The oven board and the prover board must be connected using a MICROFIT 4-way male cable.

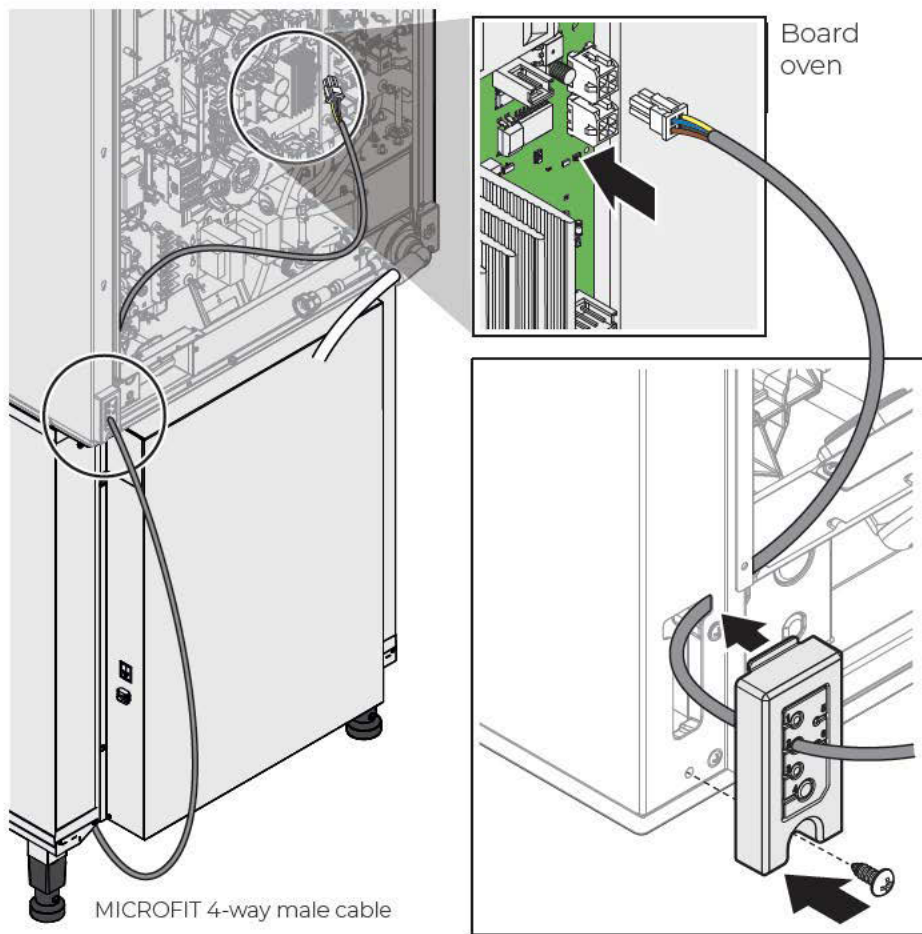
This cable allows the two appliances to communicate so that the prover can be controlled from the oven's control panel.

26 ▶

- 1** Remove the cable gland box
- 2** Make an incision in the cable gland box using a cutter
- 3** Pass the MICROFIT 4-way male cable coming from the prover through that incision. The MICROFIT 4-way male cable is already wired on the prover board.



27 ► Connect the MICROFIT 4-way male cable to the oven board, as shown in the figure.





12:30 100%
MULTI-TIME



I've activated SMART.Energy

Activating SMART.Energy reduces water and energy consumption as well as CO2 emissions.

Thanks to SMART.Energy we have saved

Power 0.02 kWh	Gas 0.05 kWh	Water 3.0 L	Euro 1.2 €	CO2 0.01 kg
-------------------	-----------------	----------------	---------------	----------------

REACTIVATE SMART.Energy

As soon as the oven starts I will return to the set cooking parameters and I will automatically adjust the cooking time with the help of ADAPTIVE Cooking to achieve an optimal result.

180 °C
 100 °C
 4 °C



DIGITAL ID



Use



Before installing the appliance, please read the "Safety" section on page **4** carefully.

GENERAL USE INSTRUCTIONS

When using the appliance for the first time, be sure to clean the inside of the prover cavity and the accessories thoroughly (see the **Maintenance** section on page **48**); let the oven run empty at maximum temperature for 1 hour to eliminate any unpleasant odours created by the protective grease used in the factory.

Operate the appliance at a room temperature between +5°C and +35°C.

Do not salt food inside the leavening cavity. If this is not possible, clean the appliance as soon as possible (see chapter **Maintenance** on page **48**).

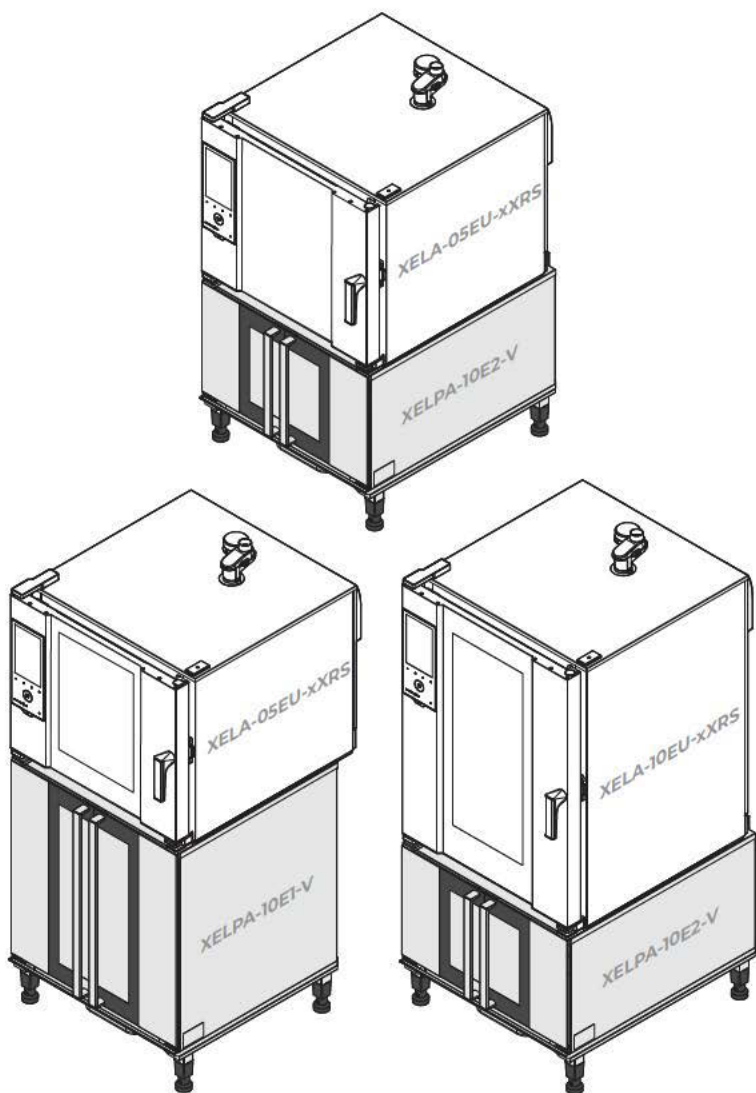
The maximum weight allowed for each tray is 5 kg; heavier loads damage the trays and side metal guides.

To prevent boiling, when using containers filled with liquids or foods that liquefy with heat, only use quantities that can easily be kept under control.

USE

Your appliance **DIGITAL**  does not come with a control panel. Therefore, it must be controlled from an oven from the same range connected to it.

To use the prover, refer to the oven's use and maintenance manual.



Maintenance

Safety precautions for cleaning and maintenance	48
Cleaning plastic parts	48
Cleaning external steel and glass surfaces	49
Cleaning the leavening cavity and the drain tray	50
Inactivity	52
Disposal	52
Certification	56

SAFETY PRECAUTIONS FOR CLEANING AND MAINTENANCE

 Any routine maintenance must be performed:

- After disconnecting the appliance from the power supply and waiting for the capacitive components to discharge (5 minutes)
- After waiting for all appliance components to reach room temperature
- Only if you are in good mental and physical condition, and are wearing suitable personal protective equipment (e.g. heat-resistant rubber gloves, eye protection, etc.).

Clean the appliance on a daily basis in order to maintain a good level of hygiene and to prevent the stainless steel from corroding or deteriorating.

CLEANING PLASTIC PARTS

Equipment to use:

- Kitchen paper towels, soft sponges or cloths

Products to use and how to clean:

Use a soft cloth dampened with a mild, neutral detergent. Follow the cleaning instructions provided by the detergent manufacturer.

CLEANING EXTERNAL STEEL AND GLASS SURFACES

Equipment to use:

- Kitchen paper towels, soft sponges or cloths

Products to use and how to clean:

- EXTERNAL SURFACES: soft cloth dampened with soapy water or detergents specific for steel. Where you clean with:
 - soapy water ►, rinse and dry the surfaces carefully immediately after
 - detergents specific for steel ►, follow the cleaning instructions provided by the detergent manufacturer.
- DOOR GLASS: soft cloth dampened with soapy water or a detergent specific for glass. Where you clean with:
 - soapy water ► rinse and dry the glass carefully immediately after
 - detergents specific for glass ►, follow the cleaning instructions provided by the detergent manufacturer.



Before cleaning the door glass, make sure that all its parts have reached room temperature.

Products NOT to use:

- abrasive, pointy or sharp tools or cloths (abrasive sponges, scrapers, steel-bristled brushes, etc.)
- steam or pressurised water jets
- Abrasive or powder detergents
- Alkaline, aggressive, caustic or corrosive detergents (e.g. hydrochloric/muriatic or sulphuric acid or caustic soda).



Do not use these substances even when cleaning the appliance substructure or the floor under the appliance. The volatile emissions from these compounds may still cause damage.

CLEANING THE LEAVENING CAVITY AND THE DRAIN TRAY

Equipment to use:

- Kitchen paper towels, soft sponges or cloths

Products to use:

Neutral detergents specific for stainless steel surfaces.



Before cleaning the leavening cavity, make sure that all its parts have reached the room temperature.

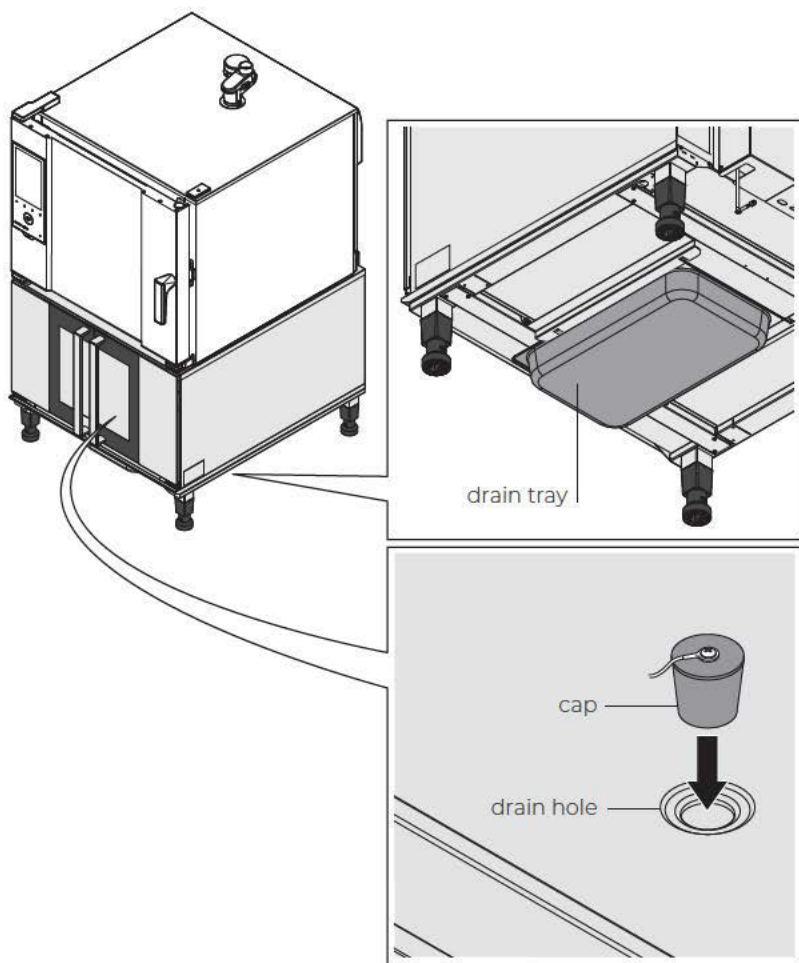
Products NOT to use:

- abrasive, pointy or sharp tools or cloths (abrasive sponges, scrapers, steel-bristled brushes, etc.)
- steam or pressurised water jets
- Abrasive or powder detergents
- Alkaline, aggressive, caustic or corrosive detergents (e.g. hydrochloric/muriatic or sulphuric acid or caustic soda).

How to clean ▶ 29:

- Make sure the drain tray is under the prover
- Remove the cap from the bottom of the leavening cavity
- Open the prover door by about 5 cm
- Switch on the prover and set the humidity to 0% and the temperature to 50 °C (to use the prover, refer to the oven's use and maintenance manual)
- Leave the prover run for about 30 minutes before switching it off
- Wait until all the prover components have reached the room temperature
- Clean the surfaces inside the leavening cavity with a soft cloth and a neutral detergent suitable for stainless steel
- **Rinse thoroughly** the leavening cavity with a cloth dampened with water to remove any detergent residue. Manually remove any detergent residue that is not flowing out.

- Remove the drain tray, empty it and clean it using soapy water or neutral, mild detergents. Rinse the tray and position it under the prover
- Remove the cap from the bottom of the leavening cavity.




INACTIVITY

During periods of inactivity, take the following precautions:

- Disconnect the appliance from the power and water supply
- Preferably rub a soft cloth lightly doused with Vaseline oil on all stainless steel surfaces
- keep the appliance door slightly ajar.

Before reusing the appliance:

- clean the appliance and accessories thoroughly (see page **48**)
- Reconnect the appliance to the power and water supplies
- Inspect the appliance before using it again

 To ensure that the appliance is in perfect condition in terms of use and safety, maintenance and inspections should be performed at least yearly, as specified by UNOX. Contact the manufacturer for more information.

DISPOSAL

Pursuant to article 13 of Legislative Decree 49 of 2014 "Implementation of the WEEE Directive 2012/19/EU on electrical and electronic equipment waste"



The crossed-out wheellie bin symbol indicates that this appliance is considered WEEE and was placed on the market after 13 August 2005.

WEEE is an acronym that stands for: Waste from Electrical and Electronic Equipment.

At the end of its useful life, the appliance should not be disposed of with other waste, but must be collected separately.

All appliances are made with recyclable metals (stainless steel, iron, aluminium, galvanized steel, copper, etc.) in percentages above 90% by weight.

Before disposal, ensure the appliance is unusable by removing the power cable and all compartment or cavity closure devices (if present).

At its end-of-life, this appliance must be managed in such a way as to:

- reduce negative impact on the environment
- use resources more effectively
- prefer prevention, preparation for reuse, recycling and reclamation, and remember “the polluter pays”.

Improper or abusive disposal of this appliance will result in sanctions, as provided for by the regulations in force.

Information on disposal in Italy

In Italy, WEEE appliances must be delivered to:

- recycling centres (also known as waste disposal sites/facilities)
- the dealer from whom the new appliance is purchased, who is required to collect them free of charge (“one-for-one” collection).

Information on disposal in European Union countries

The EU Directive on disposing of WEEE appliances has been implemented differently by each European country.

Please contact your local authorities or dealer for information on the correct disposal method.

AFTER-SALES ASSISTANCE

In case of any malfunctions, disconnect the appliance from its power and water supplies and consult the solutions listed in the table.

If the solution is not listed in the table, contact an authorised UNOX technical service centre, providing the following information:

- Date of purchase
- The appliance data on the serial plate
- Any alarm messages that are shown on the display of the oven connected to the prover.

Manufacturer's information:

UNOX S.p.A.

Via Majorana, 22

35010 Cadoneghe (PD), Italy

Tel +39 049 86.57.511

Fax +39 049 86.57.555

info@unox.com www.unox.com

Fault	Possible cause	Solution
The prover fails to heat up when a leavening cycle starts	The prover is not connected to the electrical power supply.	Connect the prover to the electrical power supply
	The prover power board is faulty.	Contact the Customer Assistance Service
	The prover heating element is faulty.	
	The prover temperature probe is faulty.	
	During installation, the prover is not connected to the oven through the supplied cable.	
The RJ45 cable connecting the oven to the prover has detached or is damaged.		
The prover fails to produce humidity when a leavening cycle starts	The prover is not connected to the water mains.	Connect the prover to the water mains
	The water intake solenoid is damaged.	Contact the Customer Assistance Service
	The prover power board is faulty.	
	The prover humidity probe is faulty.	

CERTIFICATION

EU declaration of conformity for electrical appliances Manufacturer:
UNOX S.p.A.

Address: Via Majorana, 22 - 35010 Cadoneghe, Padua, Italy

Declares, under its own responsibility, that proves XELPA-10E1-V
and XELPA-10E2-V comply with the Machinery Directive 2006/42/EC
through standards:

EN 60335-1:2012 + A11:2014 + A13:2017 + A1:2019 + A14:2019 + A2:2019 +
A15:2021

EN 60335-2-49:2003 + A1: 2008 + A11: 2012 + A2: 2019

EN 62233: 2008

Comply with the Electromagnetic Compatibility Directive 2014/30/EU

EN 55014-1:2017 + A11:2020

EN 55014-2: 1997 + A1: 2001 + A2: 2008

EN 61000-3-2:2014

EN 61000-3-3:2013

EN 61000-3-11: 2000

EN 61000-3-12: 2011

EN 61000-6-2: 2005

EN 61000-6-3:2007 + A1:2011





INVENTIVE SIMPLIFICATION

EUROPE

IT - ITALIA
UNOX S.p.A.

E-mail: info@unox.it
Tel: +39 049 8657511

GB - UNITED KINGDOM
UNOX UK Ltd.

E-mail: info@unoxuk.com
Tel: +44 1252 851 522

CZ - ČESKÁ REPUBLIKA
UNOX DISTRIBUTION s.r.o.

E-mail: info.cz@unox.com
Tel: +420 241 940 000

BG - БЪЛГАРИЯ
UNOX BULGARIA

E-mail: info.bg@unox.com
Tel: +359 2 419 05 00

NL - NETHERLANDS
UNOX NETHERLANDS B.V.

E-mail: info.nl@unox.com
Tel: +31 6 27 21 14 10

DE - DEUTSCHLAND
UNOX DEUTSCHLAND GMBH

E-mail: info.de@unox.com
Tel: +49 2951 98760

IE - IRELAND
UNOX IRELAND

E-mail: info.ie@unox.com
Tel: +353 (0) 87 32 23 218

HR - HRVATSKA
UNOX CROATIA

E-mail: narudzbe@unox.com
Tel: +39 049 86 57 538

AT - ÖSTERREICH
UNOX ÖSTERREICH GMBH

E-mail: info.de@unox.com
Tel: +43 800 880 963

PL - POLSKA
Unox Polska Sp.zo.o.

E-mail: info.pl@unox.com
Tel: +48 665 232 000

FR - FRANCE, BELGIUM
& LUXEMBOURG
UNOX FRANCE s.a.s.

E-mail: info.fr@unox.com
Tel: +33 4 78 17 35 39

ES - ESPAÑA
UNOX PROFESIONAL
ESPAÑA S.L.

E-mail: info.es@unox.com
Tel: +34 900 82 89 43

TR - TÜRKİYE - UNOX TURKEY
Profesyonel mutfak ekipmanları
endüstri ve ticaret limited şirketi

E-mail: info.tr@unox.com
Tel: +90 530 176 62 03

RU - РОССИЯ, ПРИВАЛТИКА
И СТРАНЫ СНГ
UNOX РОССИЯ

E-mail: info.ru@unox.com
Tel: +7 (499) 702 - 00 - 14

SC - SCANDINAVIAN
COUNTRIES
UNOX SCANDINAVIA AB

E-mail: info.se@unox.com
Tel: +46(0)790 75 63 64

PT - PORTUGAL
UNOX PORTUGAL

E-mail: info.pt@unox.com
Tel: +351 918 228 787

AMERICA

US - U.S.A. & CANADA
UNOX Inc.

E-mail: info.usa@unox.com
Tel: +1 800 489 8669

AR - ARGENTINA
UNOX ARGENTINA

E-mail: info.ar@unox.com
Tel: +54 911 37 58 43 46

CO - COLOMBIA
UNOX COLOMBIA

E-mail: info.co@unox.com
Tel: +57 350 65 88 204

BR - UNOX BRASIL
SERVICOS LTDA.

E-mail: info.br@unox.com
Tel: +55 11 98717-8201

MX - MEXICO
UNOX MEXICO,
S. DE R.L. DE C.V.

E-mail: info.mx@unox.com
Tel: +52 55 8116-7720

ASIA, OCEANIA & AFRICA

ZA - SOUTH AFRICA
UNOX SOUTH AFRICA

E-mail: info.asia@unox.com
Tel: +27 845 05 52 35

PH - PHILIPPINES
UNOX PHILIPPINES

E-mail: info.asia@unox.com
Tel: +63 9173108084

AU - AUSTRALIA
UNOX AUSTRALIA PTY Ltd.

E-mail: info@unoxaustralia.com.au
Tel: +61 3 9876 0803

UZ - UZBEKISTAN
UNOX PRO LLC

E-mail: info.uz@unox.com
Tel: +998 90 370 90 10

KR - 대한민국
UNOX KOREA CO. Ltd.

이메일: info.asia@unox.com
전화: +82 2 69410351

AC - OTHER
ASIAN COUNTRIES
UNOX (ASIA) SDN. BHD

E-mail: info.asia@unox.com
Tel: +603-58797700

TW - TAIWAN,
HONG KONG & MACAU
UNOX TAIWAN

E-mail: info.tw@unox.com
Tel: +886 928 250 536

MY - MALAYSIA
& SINGAPORE
UNOX (ASIA) SDN. BHD

E-mail: info.asia@unox.com
Tel: +603-58797700

CN - 中华人民共和国
UNOX TRADING (SHANGAI)
Ltd. CO.

电子邮箱: info.asia@unox.com
电话: +603-58797700

NZ - NEW ZEALAND
UNOX NEW ZEALAND Ltd.

E-mail: info@unox.co.nz
Tel: +64 (0) 800 76 0803

AE - U.A.E.
UNOX MIDDLE EAST DMCC

E-mail: info.uae@unox.com
Tel: +971 4 554 2146

ID - INDONESIA
UNOX INDONESIA

E-mail: info.asia@unox.com
Tel: +62 81908852999

unox.com



L13071A

All images are used for illustrative purposes only.
All the features described in this catalogue are subject to change and may be updated without prior notice.