



WATERLESS HOOD BAKERLUX SHOP.Pro™

XEKHT-ACHS
XEKHT-ACEU

INSTALLATION, USE AND MAINTENANCE MANUAL
Translation of original instructions

EN

WARNING: Read the instructions before using the appliance

HOODS

SAFETY REGULATIONS

SAFETY REGULATIONS FOR INSTALLATION AND MAINTENANCE	4
SAFETY REGULATIONS FOR USE	5

INTRODUCTION

PICTOGRAMS.....	7
INTRODUCTION	8

INSTALLATION

UNPACKING THE APPLIANCE	10
CHECKING PACK CONTENTS	12
GETTING STARTED	12
POSITIONING.....	16
POSITIONING ON AN OVEN OR FLUE	17
ELECTRICAL CONNECTION.....	21
PLUMBING CONNECTIONS	23
CONNECTING STACKED APPLIANCES (MAXI.LINK).....	27
INSTALLATION OF FILTERS.....	29

USE

USE.....	30
----------	----

MAINTENANCE

ROUTINE MAINTENANCE	32
INACTIVITY	34
DISPOSAL.....	34
CERTIFICATION	35
AFTER-SALES ASSISTANCE	36

HOODS

Safety regulations

SAFETY REGULATIONS FOR INSTALLATION AND MAINTENANCE

- Read this manual carefully before installing or maintaining the appliance. Store this manual with care for future consultation.
- All installation, assembly and non-routine maintenance must be performed exclusively by qualified technicians that are authorised by UNOX, in compliance with the regulations in force in the user country, and respecting the regulations on systems and work safety.
- Before starting installation or maintenance disconnect the appliance from any electrical connections.
- Before installing the appliance, check that the systems are compliant with the installation standards in the specific country and with the specifications indicated on the appliance serial plate.
- Interventions, alterations or modifications not expressly authorised that do not comply with the indications in this manual shall invalidate the guarantee.
- Installation or maintenance that fails to respect the indications in this manual may cause damage, injury or death.
- When the appliance is being fitted, people not involved with the installation may not pass through or occupy the work space.
- Given its potential danger, the package material must be kept out of reach of children or animals, and properly disposed of as required by local regulations.
- The ratings plate provides essential technical information that is of utmost importance for any appliance maintenance or repairs. Do not remove, damage or modify the plate.

- Failure to follow these instructions may cause damage, injury or death; voids the warranty*; and relieves UNOX of all liability.

SAFETY REGULATIONS FOR USE

- Following procedures other than those indicated in this guide to use and clean the appliances is considered inappropriate and may cause damage, injury or fatal accidents, in addition to invalidating the warranty* and relieving UNOX of all liability.
- Children must not play with the appliance. Cleaning and maintenance to be implemented by the user must not be carried out by children without supervision.
- Children must be supervised to ensure they do not play with the appliance.
- This appliance can be used exclusively:
 - by qualified personnel that attend scheduled training courses;
 - in combination with the UNOX electrical ovens in the **BAKERLUX SHOP.Pro™** line for industrial kitchens;
 - for the aspiration and condensation of smoke evacuated via the oven flue;
 - for smoke aspiration and evacuation that exit the oven when the door is opened.
- If the appliance does not function or if there are any functional or structural alterations, disconnect the electricity and water supplies and contact a UNOX authorized customer assistance service. Do not attempt to independently repair the appliance. Request UNOX original spare parts for any repairs.

*For further details go to the "Warranty" section of the www.unox.com website

- To ensure that the appliance is in perfect condition in terms of use and safety, maintenance and inspections should be performed yearly by an authorised support service centre.
- Never use the hood without the front filters.



RISK OF FIRE!

- Before using the appliance make sure that there are no non-compliant object (instruction manuals, plastic bags or other) in the oven cavity; likewise, make sure that the smoke exhaust is free of obstructions and that no flammable materials are in the vicinity.



RISK OF ELECTRIC SHOCK

- Do not open the compartments marked with these symbols: access is reserved to qualified personnel authorised by UNOX.
- Failure to observe these regulations may cause damage, injury or death, and also invalidates the guarantee.

HOODS

Introduction

Dear Customer,

We would like to thank you for choosing to purchase an appliance from the **BAKERLUX SHOP.Pro™** range; we hope this is just the beginning of a fruitful and long-lasting partnership.

These ovens are the climax of Unox research and guarantee minimum occupation of space with superlative performance while offering outstanding cooking management at any condition of use and load.

PICTOGRAMS

The installation and user instructions are valid for all models unless otherwise specified by the following pictograms:

EN



Danger! Situation presenting immediate danger, or a hazardous situation which could cause injury or death.



Risk of fire!



Tips and useful information



Risk of electric shock!



Earthing symbol



Read the instruction manual



Equipotential symbol



Risk of burns!



Consult other chapter

FORWARD

This appliance can be used exclusively:

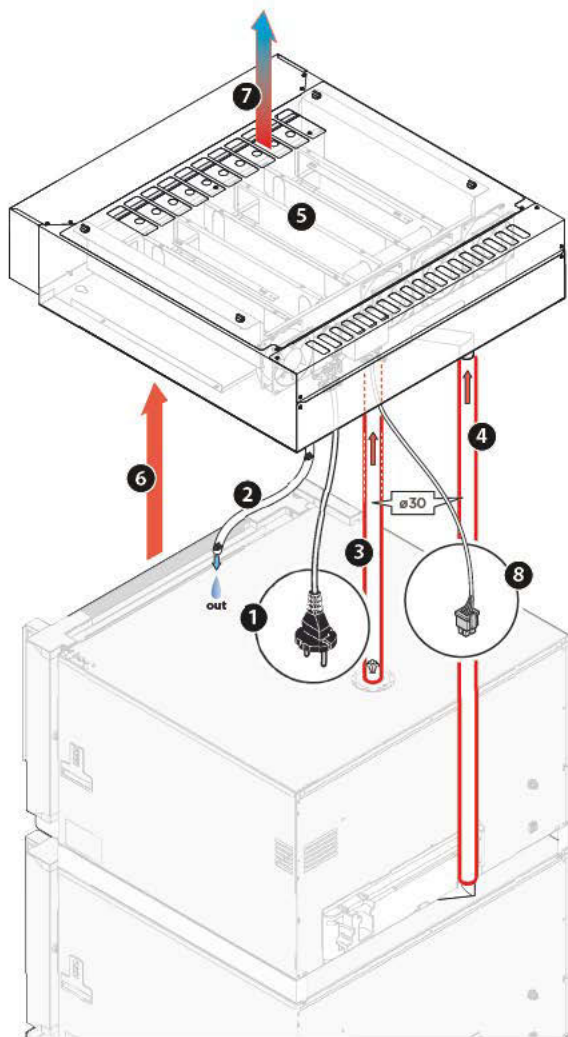
- by qualified personnel that attend scheduled training courses;
- in combination with UNOX electrical ovens from the **BAKERLUX SHOP. Pro™** line for industrial kitchens (for more information, see “Table A” on page 8);
- for the aspiration and condensation of smoke evacuated via the oven flue;
- for smoke aspiration and evacuation that exit the oven when the door is opened.



We recommend you thoroughly read this manual for all instructions on how to maintain the aesthetic and functional qualities of your purchased product.

Table A

HOOD MODEL	COUPLING WITH COMBINED OVENS OF THE RANGE
XEKHT-ACHS	XEFT-03HS-xxDx
	XEFT-03HS-xxRx
	XEFT-03HS-xxLx
	XEFT-04HS-xxDx
	XEFT-04HS-xxRx
	XEFT-04HS-xxLx
XEKHT-ACEU	XEFT-03EU-xxDx
	XEFT-03EU-xxRx
	XEFT-03EU-xxLx
	XEFT-04EU-xxDx
	XEFT-04EU-xxRx
	XEFT-04EU-xxLx
	XEFT-06EU-xxRx
	XEFT-06EU-xxLx
	XEFT-06EU-xxRx
XEFT-10EU-xxLx	



- 1 plug for connection to the electricity mains
- 2 residual water discharge
- 3 cavity moisture released from the flues of the oven below
- 4 cavity moisture released from the flues of the oven below
- 5 vapour condenser
- 6 cavity moisture released from open door
- 7 exiting cold air
- 8 connecting cable between the hood and the oven

HOODS

Installation

1 UNPACKING THE APPLIANCE

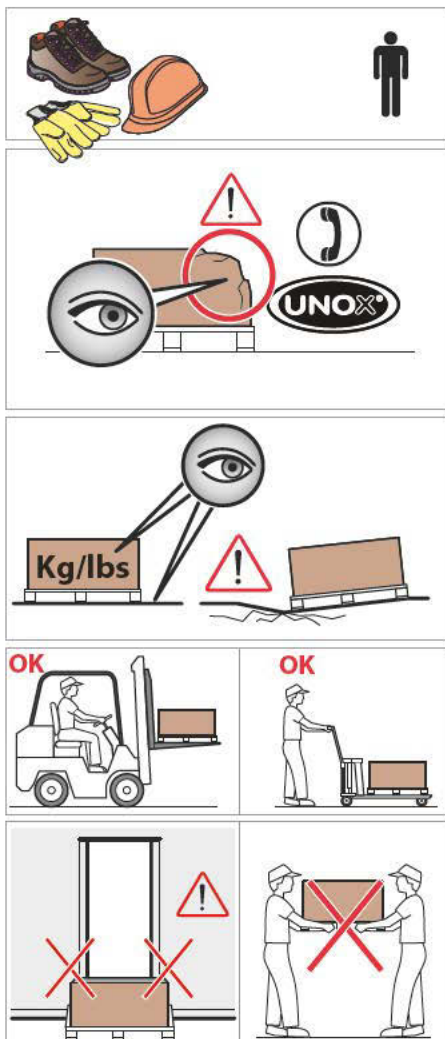
Check the package for any visible damage. If damage is found, contact UNOX immediately and DO NOT install the appliance.

Before transporting the appliance to its installation point, make sure that:

- it easily passes through doorways;
- the floor supports its weight.

Transport must be exclusively performed by mechanical means (e.g. using pallet jacks).

! The packaging material is potentially dangerous. It must be kept out of the reach of children and animals, and correctly disposed of in compliance with local regulations.

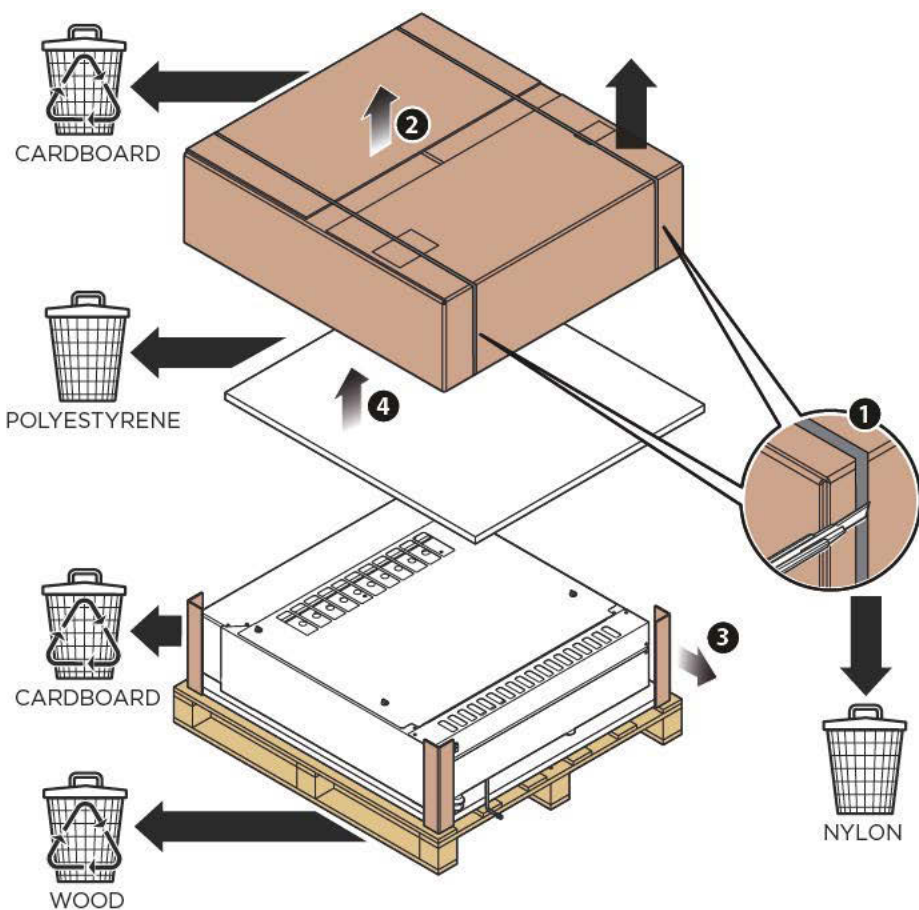


NON-STOP Efforts

UNOX has followed the **NON-STOP Efforts** philosophy for years, to increase the environmental compatibility of its products and reduce energy consumption and waste.

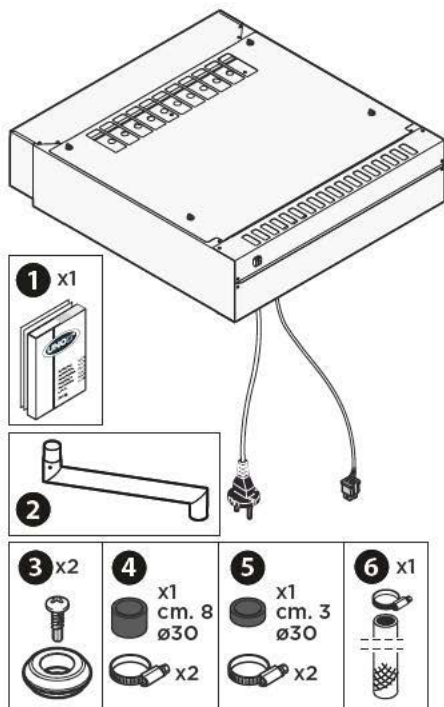
UNOX wishes to protect the environment and invites the consumer to dispose of waste in the relevant recycling bins.

EN



2 CHECKING PACKAGE CONTENTS


Before installing the appliance, check that the following components are in the package and undamaged. Contact UNOX if any pieces are missing.

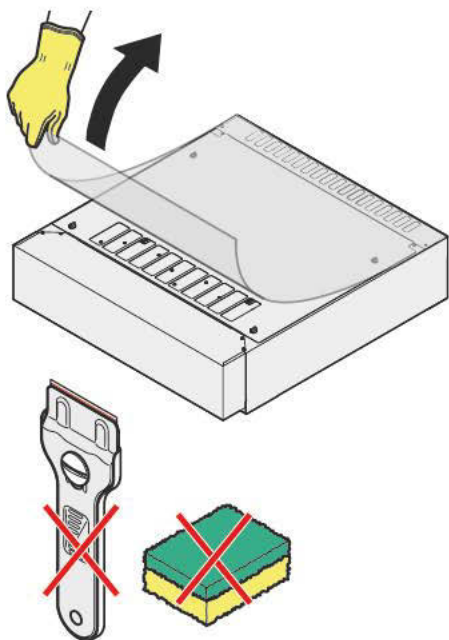


3 GETTING STARTED

REMOVING THE PROTECTIVE FILM

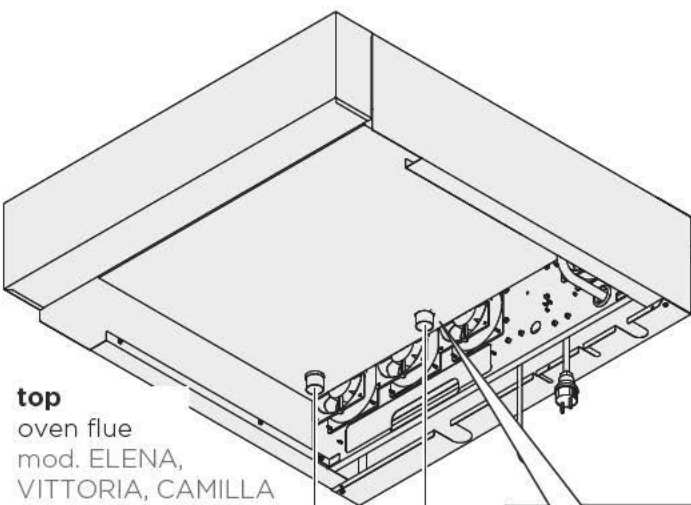
Slowly remove the protective films from the appliance. Clean any glue residue with appropriate solvents without using tools, abrasive detergents or acids that could spoil the surfaces.

 The film is potentially dangerous and must be kept out of the reach of children and animals, and correctly disposed of in compliance with local regulations.



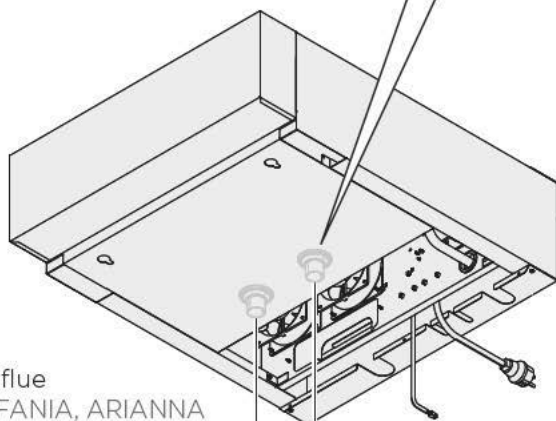
REMOVING THE SMOKE FLUE CAPS

Remove the smoke flue caps as shown in the figure, according to the oven model the hood will be positioned on.




top
oven flue
mod. ELENA,
VITTORIA, CAMILLA
or **bottom** oven flue
all models

top oven flue
mod. ROSSELLA or **bottom**
oven flue all models



top oven flue
mod. STEFANIA, ARIANNA

bottom oven flue
mod. STEFANIA, ARIANNA

 Make sure
that you do
not mix up
the smoke flue
connections and
the condensation
outlet (OUT)

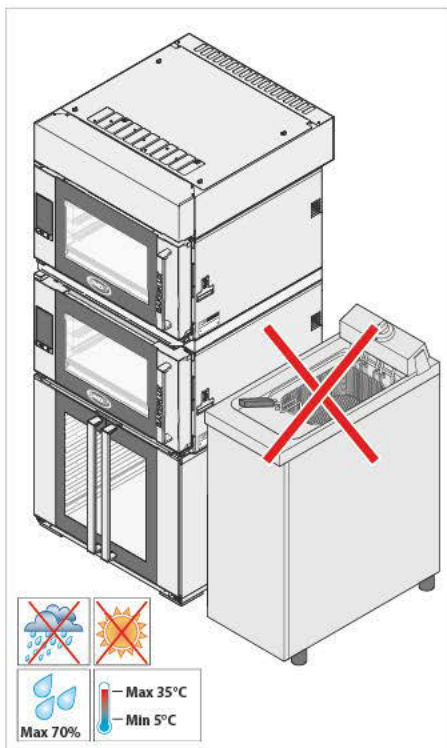
4 POSITIONING

CHARACTERISTICS OF THE INSTALLATION AREA

Install the appliance in areas:

- dedicated and conforming to the cooking of industrial foods;
- having adequate air ventilation;
- that comply with the laws in your country;
- protected from the weather;
- with temperatures from +5°C to +35°C maximum;
- having a maximum humidity of 70%.

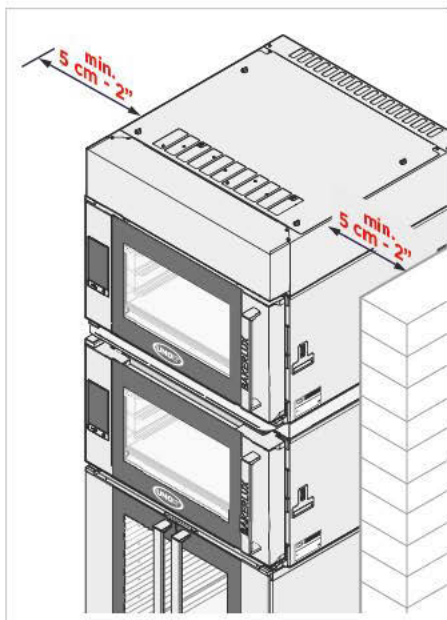
The appliances must only be positioned above ovens from the **BAKERLUX SHOP.Pro™** line and they must be fixed to them.



INSTALLATION MEASUREMENTS

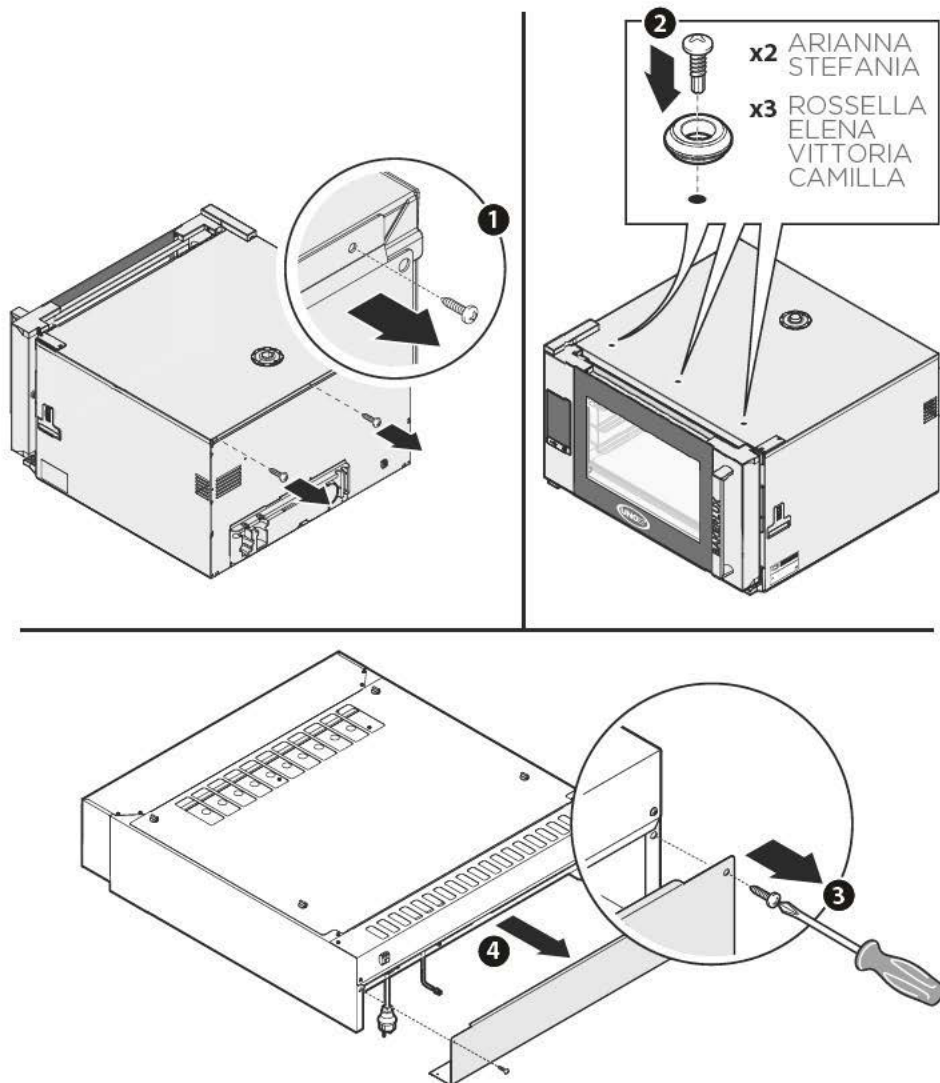
Position the appliance respecting the indicated distances in the diagram and so that the back of the oven is easily accessible for appliance connections and maintenance.

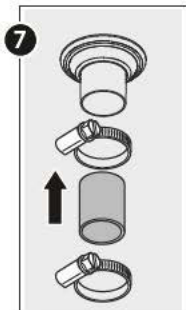
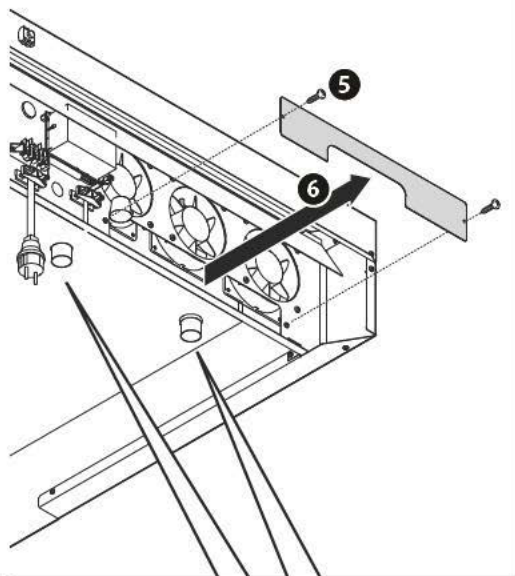
⚠ Do not install the appliance near flammable or heat sensitive materials, walls or furniture. Otherwise, protect them with appropriate non-flammable materials in compliance with fire prevention regulations - see diagram below.



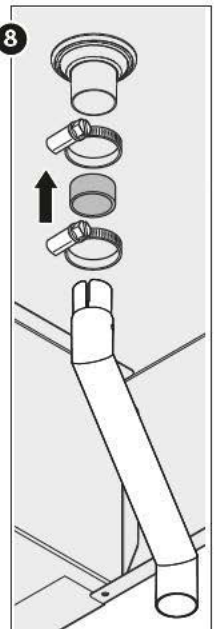
5 POSITIONING ON AN OVEN OR FLUE

Cooking produces hot smoke and odours that are evacuated through an exhaust pipe on the top portion of the appliance. Where multiple ovens are stacked, the bottom oven and the one/those above must be connected to the hood. To do this, you must use the extension included in the stacking kit.

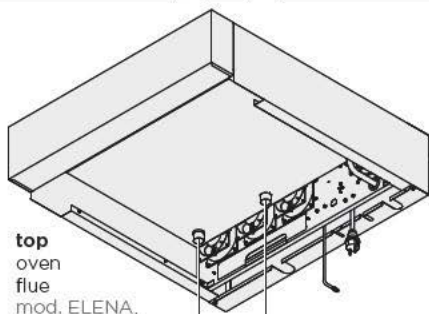




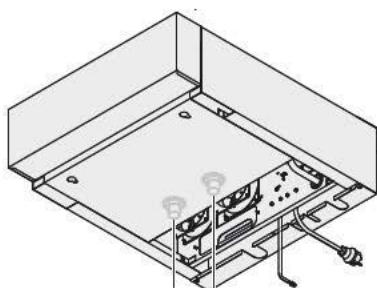
7
connecting the **top** oven flue with a pipe \varnothing 30 - length 8 cm



8
connecting the **bottom** oven flue (where present) with a pipe \varnothing 30 - length 3 cm



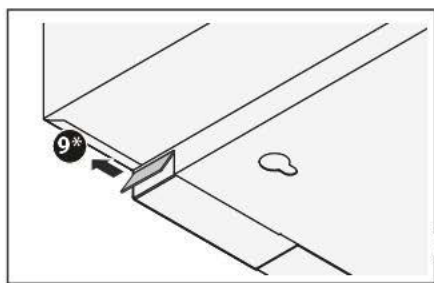
top oven flue
mod. ELENA,
VITTORIA,
CAMILLA or
bottom oven flue
(where present)



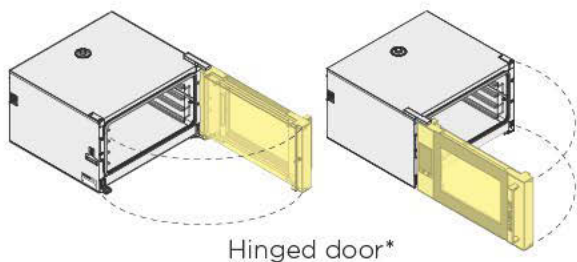
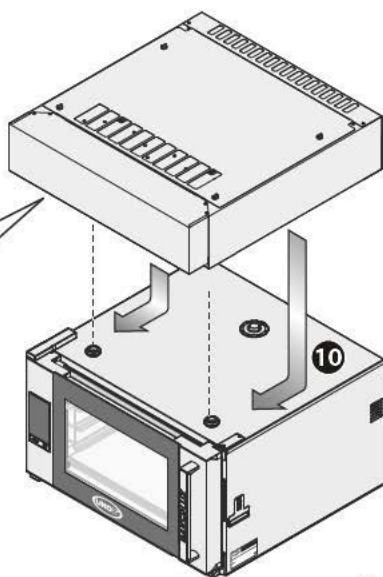
top oven flue
mod. STEFANIA, ARIANNA

top oven flue mod.
ROSSELLA or **bottom**
oven flue (where
present)

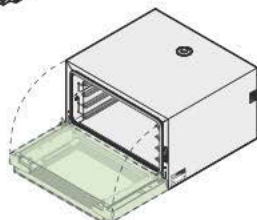
bottom oven flue
mod. STEFANIA, ARIANNA
(where present)



9* If the oven below the hood has a hinged door*, you must remove the left-hand or right-hand plate on the hood (depending on the way the oven door opens) to make room for the hinge on the top oven.

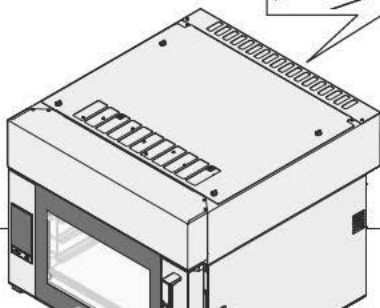
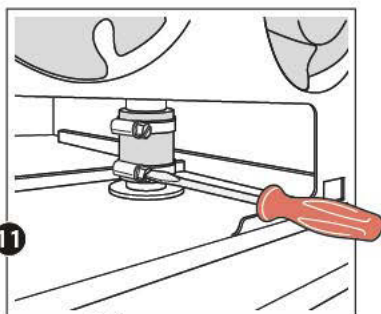


Hinged door*

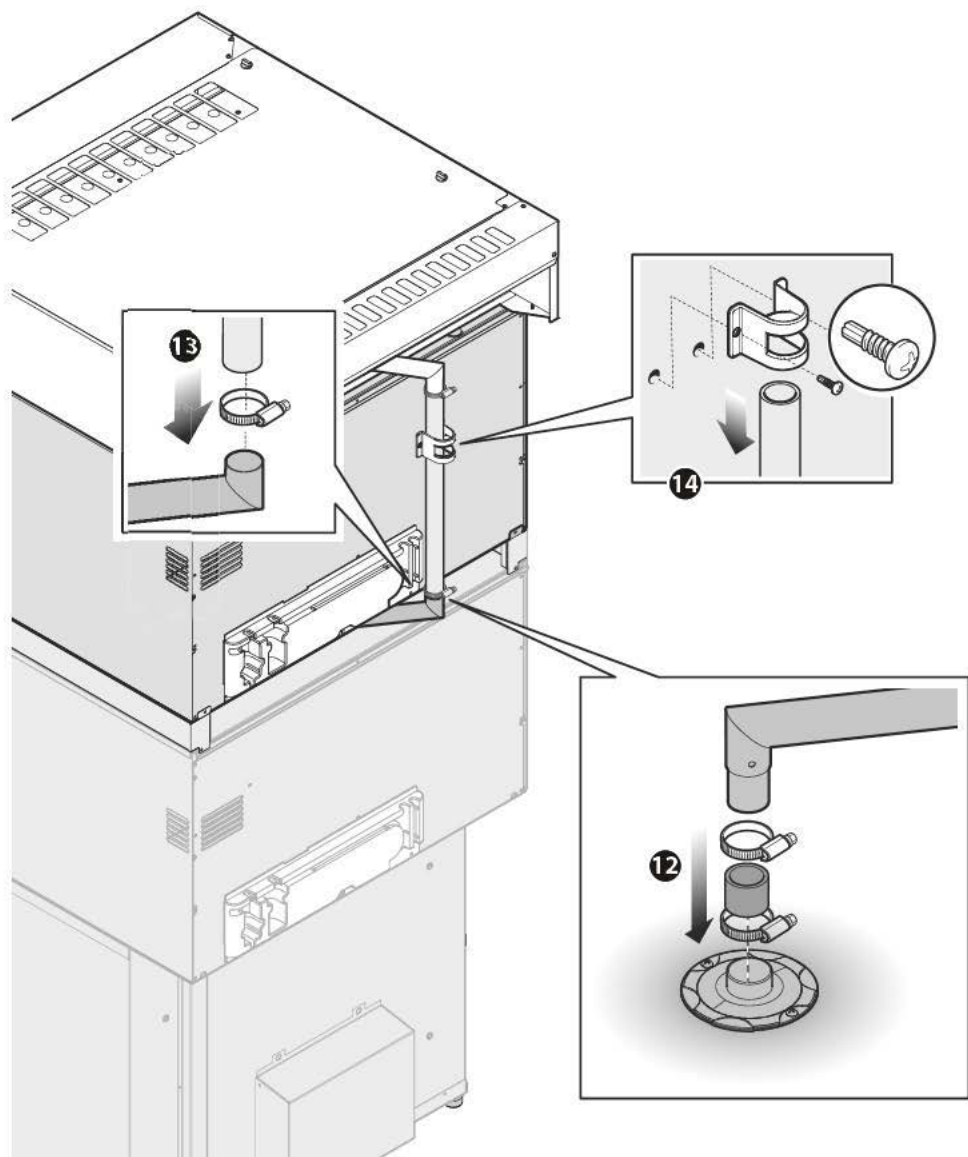


Flap door

11 Fully tighten the clips on the pipe connecting to the **top** oven flue.



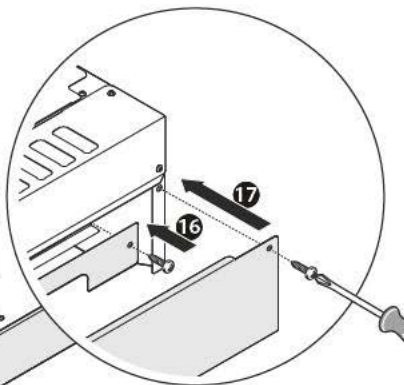
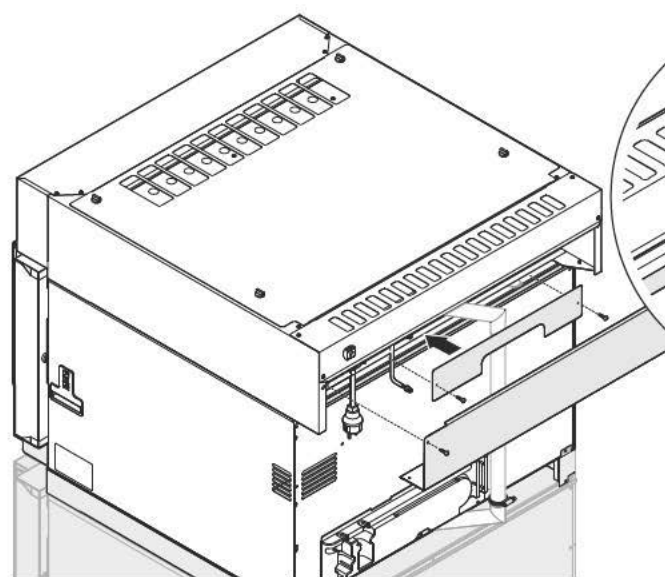
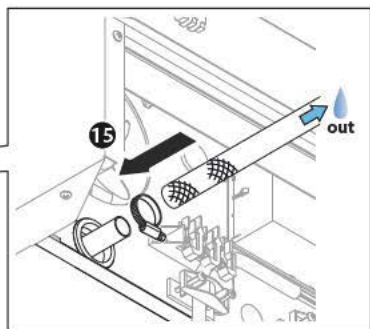
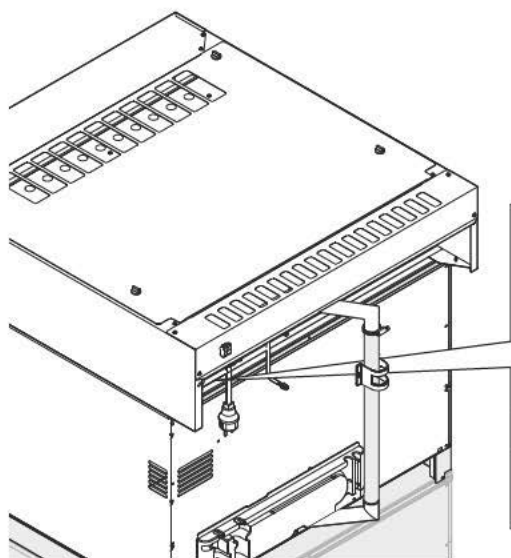
CONNECTING THE FLUE OF A SECOND OVEN



A second oven must be connected using the extension included in the stacking kit



For more assembly information, please see the instructions contained in the package




HOOD SMOKE EXHAUST

Smoke and odours coming from the oven cavity are evacuated through the hood smoke flues

External evacuation can be performed in 1 of 2 manners:

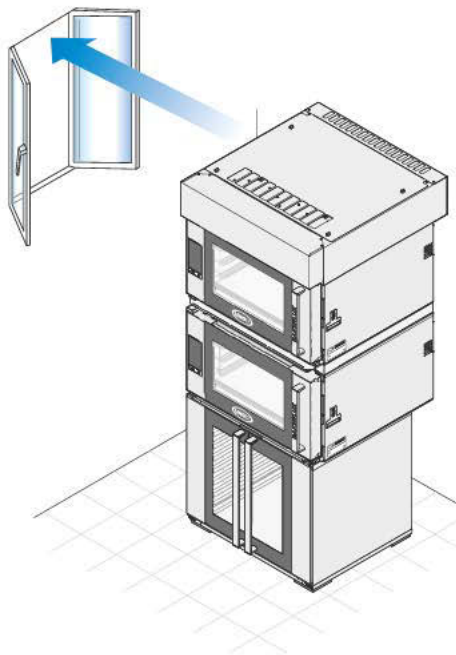
1) Direct evacuation in the oven installation area.

 Make sure that there are no objects or materials obstructing the flue or which may be damaged by the temperature or fumes. Do not leave flammable materials near the smoke exhausts.

2) Evacuation through an efficient ventilation flue.

The UNOX smoke flue, available as an optional, must be installed.

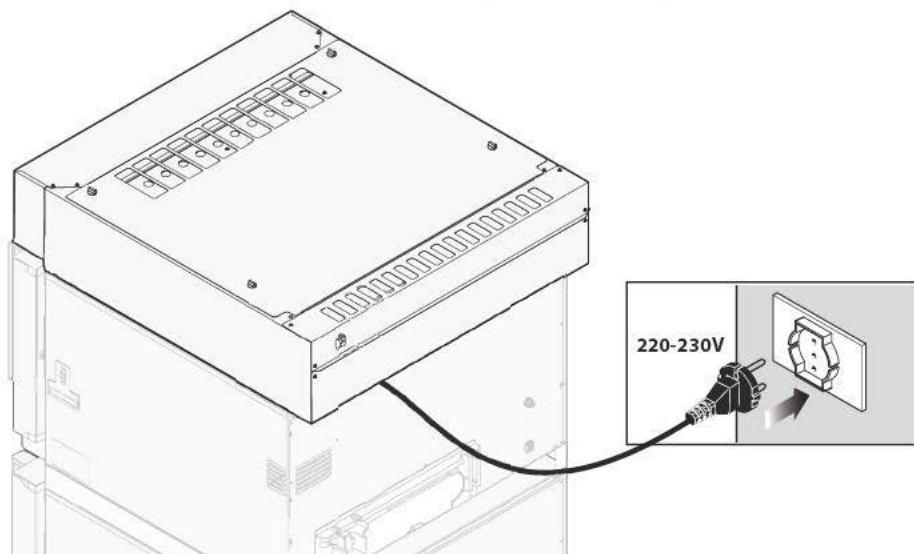
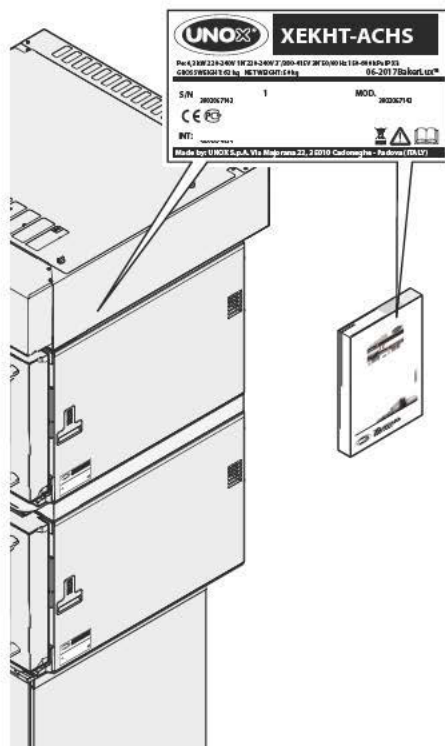
The flue must preferably have the same diameter ($\varnothing 12\text{cm}$) throughout the entire length of the oven's exhaust pipe connection;



6 ELECTRICAL CONNECTION

! Before installing the appliance, read the "Safety regulations for installation and maintenance" section on page 4 carefully.


⚠ Connections to the mains power and the electrical system must comply with the regulations in force in the country of installation of the appliance; and all connections must be performed by qualified personnel authorised by UNOX. Failure to comply with these regulations may cause damage or injury, invalidates the warranty and relieves UNOX of all liability.




*For further details go to the "Warranty" section of the www.unox.com website



Before connecting the appliance to the mains electricity, always compare the power supply data with that of the appliance as specified on the rating plate.

The appliance is released from the factory with power cable and plug already connected to the terminal. Do not make any other type of electrical connection or dimensional modification to the cable other than extensions, replacing it only with one having specifications equal to the original factory cable (type of rubber, cross-section, etc.).

 The cable must be replaced by UNOX or by its technical assistance service, or, in any case, by a person with a similar role in order to prevent any risks.

 The wiring diagrams, wire specifications and the technical data are indicated on the "Technical specifications" sheet attached to the appliance.

For proper electrical connections, the appliance must:

- Be wired into an equipotential system in accordance with current regulations. This connection must be performed between different appliances with the terminal marked with the equipotential symbol . The cable must have a maximum cross-section of 10 mm² (pursuant standard CEI EN 60335-2-42:2003-09) and be yellow/green.
- Be connected to the mains earth  (green-yellow wire).

- Be connected to a thermal differential switch in compliance with the regulations in force (0.03A, type A).
- Be connected to a main circuit-breaker that enables complete disconnection in category III over-voltage conditions.



CHECKS

- The copper jumper in the terminal board and the electrical cable must be secured together under the screw in its tightening direction, and the electrical connections must be securely tightened before connecting the appliance to the electricity mains.
- Check for any electrical dispersion between the phases and the earth, and for electrical continuity between the external casing and the mains earth.
- Check that the power supply voltage does not deviate from the nominal voltage value specified on the appliance rating plate when the appliance is operating. If this is not the case, wire the phases as specified on the "technical specifications" sheet enclosed.

7 PLUMBING CONNECTIONS

OUTGOING WATER


Plumbing connections are on the rear of the appliance: connect the attachment to a rigid pipe or hose by using a metal clip (supplied) and connect to a waste water discharge.

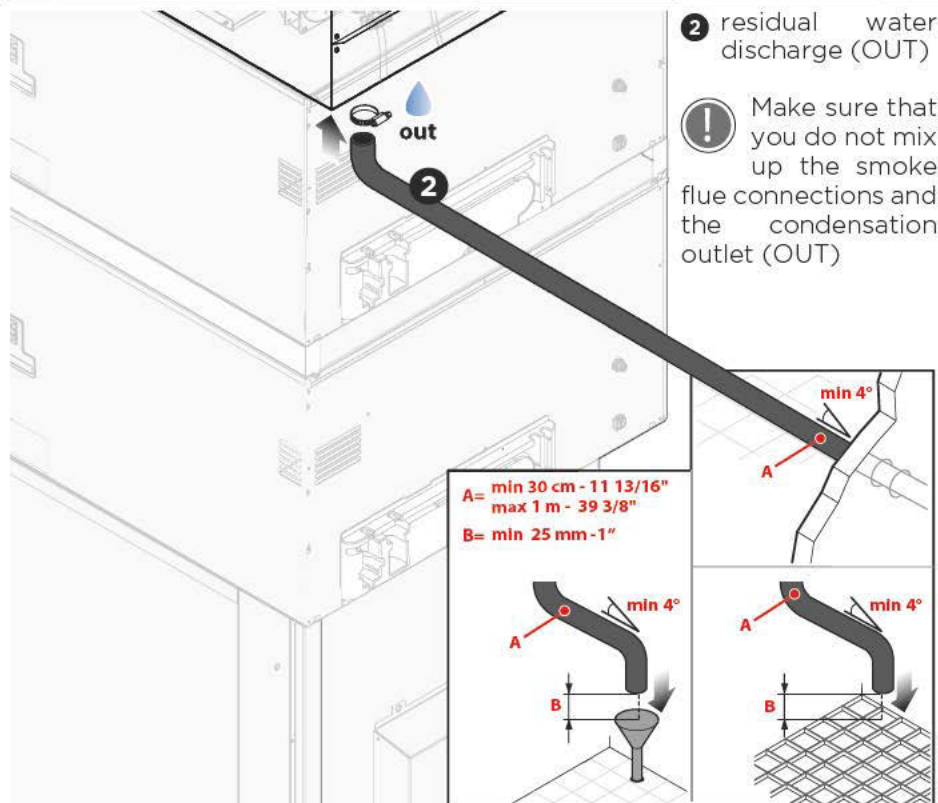
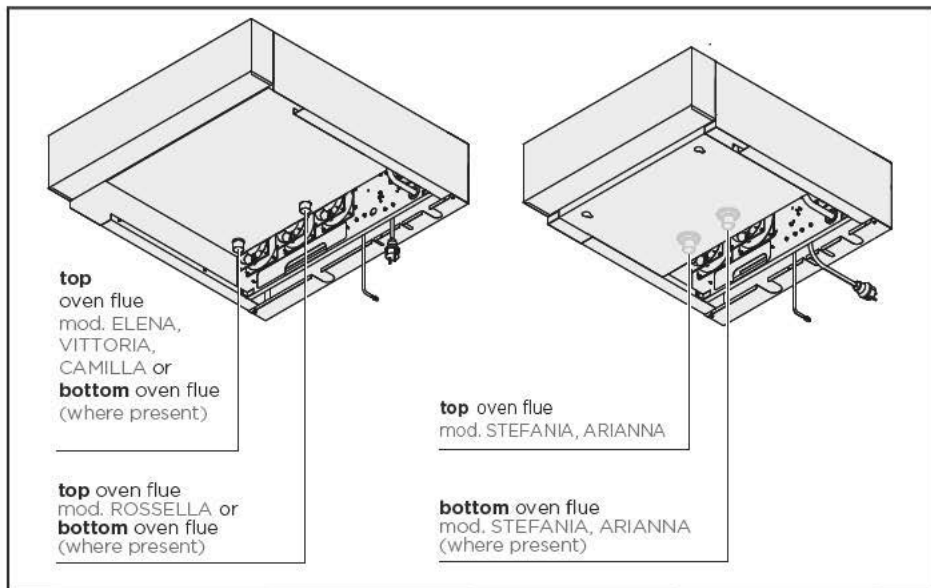
-  UNOX recommends its own rigid pipes and flexible hoses.
-  The waste water draining from the appliance may be hot (90°C). The pipes used for water drainage must be able to withstand high temperatures.

Drainage specifications

The drainage system must:

- be a siphon-type;
- be one meter in length maximum;
- have a minimum incline of 4%;
- have a diameter that is NOT less than the drain pipe attachment;
- be dedicated to each appliance; if this is not the case, make sure that the main drainage pipe is sized sufficiently to ensure that water flows away properly without any problems;
- be free of kinks and sharp ends.

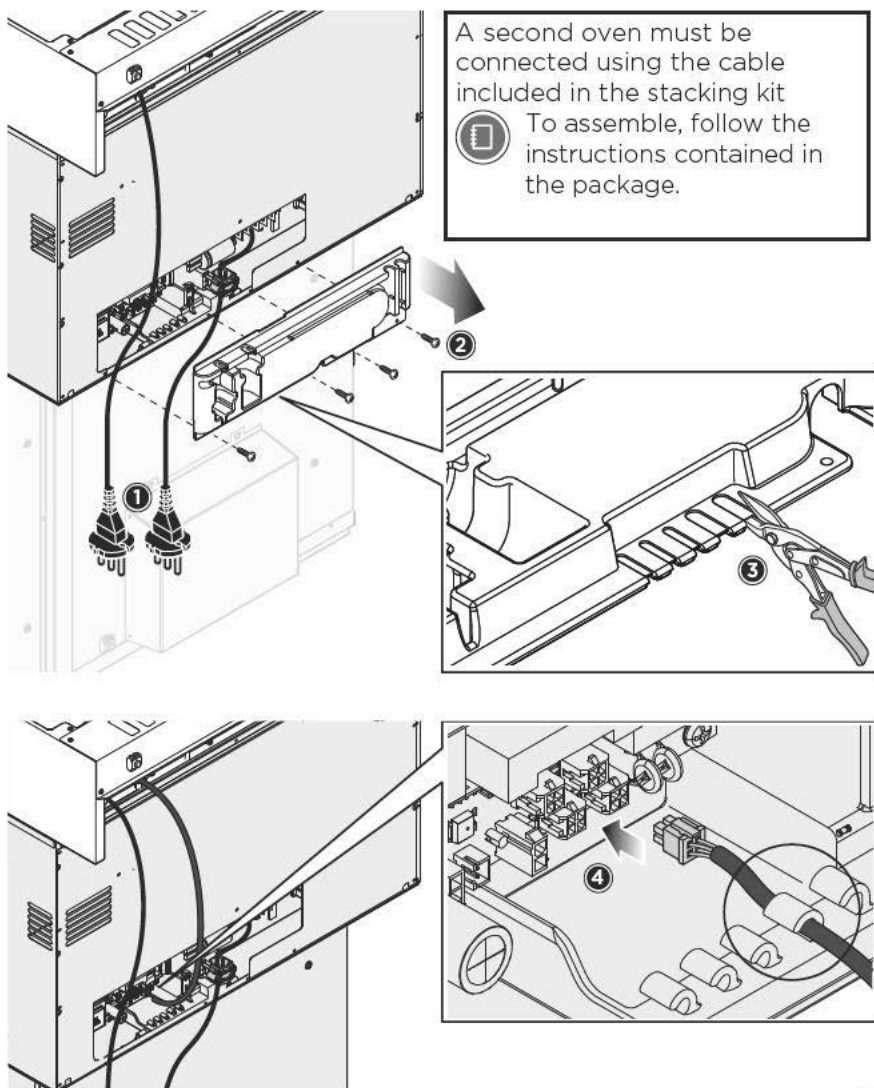
-  For additional information, please see the instructions contained inside your **BAKERLUX SHOP.Pro™** oven packaging.

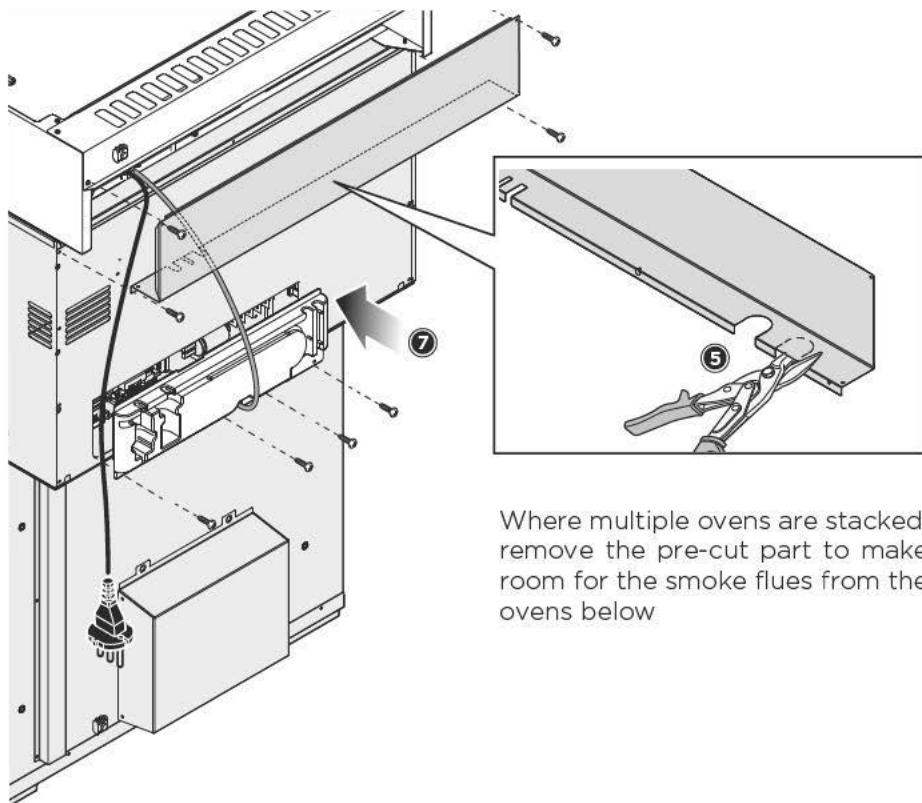


8 CONNECTING STACKED APPLIANCES (MAXI.Link)

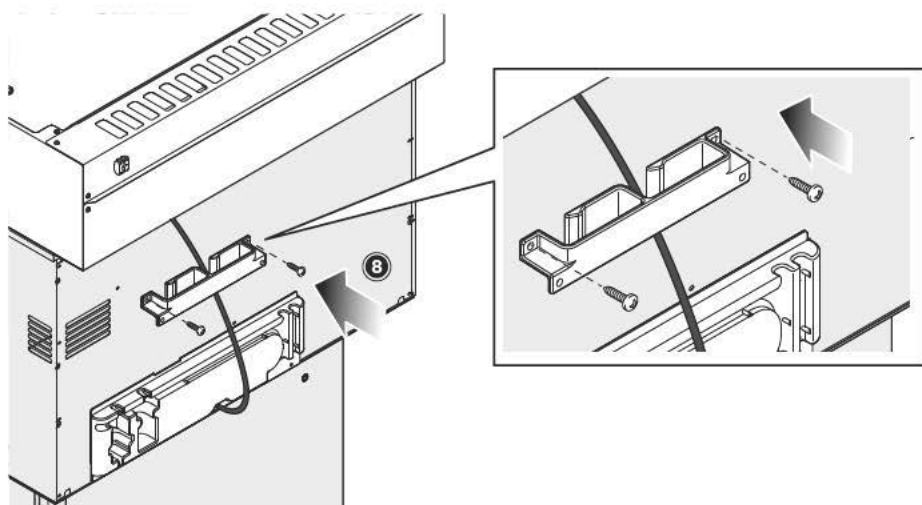
All ovens in the **BAKERLUX SHOP.Pro™** line are designed to be connected to accessories (prover, hood, etc.). The accessories connect to the oven using connectors on the back of the oven, which automatically connect.

⊕ Follow the instructions contained in the accessory and appliance packaging for information on how to fully install and manage them.






Where multiple ovens are stacked, remove the pre-cut part to make room for the smoke flues from the ovens below



HOODS

Use

-  **Before using the appliance, carefully read the section “Safety regulations for installation and maintenance” on page 4.**
-  Clean the appliance thoroughly on first use (see chapter. “Routine maintenance” on page 30).
-  Operate the appliance at a room temperature between +5°C and +35°C.

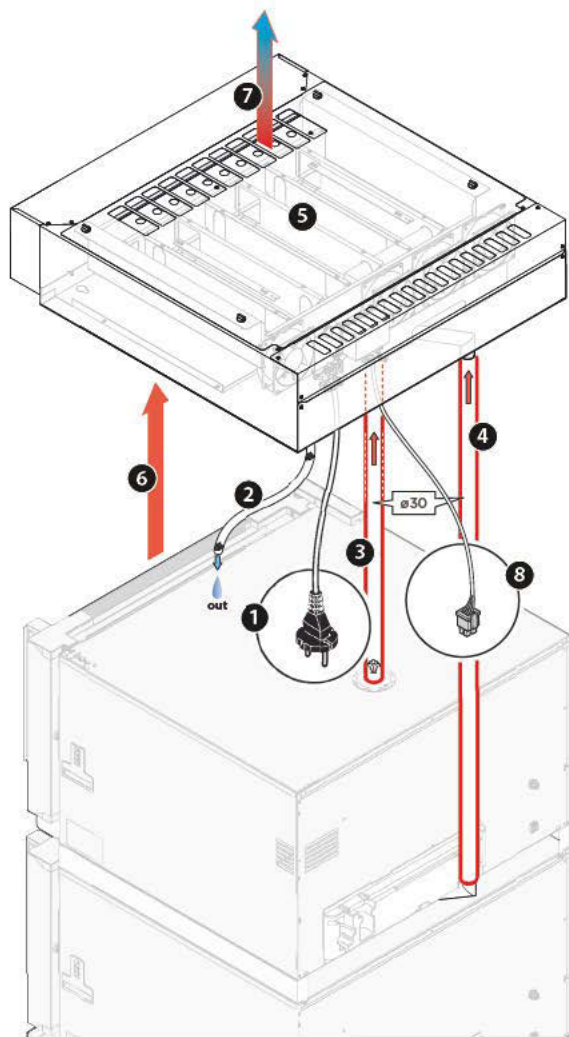
HOW THE HOOD WORKS

The appliances do not feature a control panel because they are automatically controlled by the oven to which they are connected via cable **8**.

During cooking (manual or scheduled), the hood automatically starts at minimum speed and reduces the fumes coming from the underlying oven flues **4**.

The mitigated smoke is evacuated in liquid form via a pipe on the back of the appliance **2**.

The hood speed increases when the oven door is opened in order to aspirate frontal smoke that escapes from the oven door **6**.



- 1 plug for connection to the electricity mains
- 2 residual water discharge
- 3 cavity moisture released from the flues of the oven below
- 4 cavity moisture released from the flues of the oven below
- 5 vapour condenser
- 6 cavity moisture released from open door
- 7 exiting cold air
- 8 connecting cable between the hood and the oven

HOODS

Maintenance

ROUTINE MAINTENANCE

! Any routine maintenance procedure must be performed:

- after disconnecting the appliance from the power and water supplies
- after having put on the proper personal protective equipment (gloves, etc.).

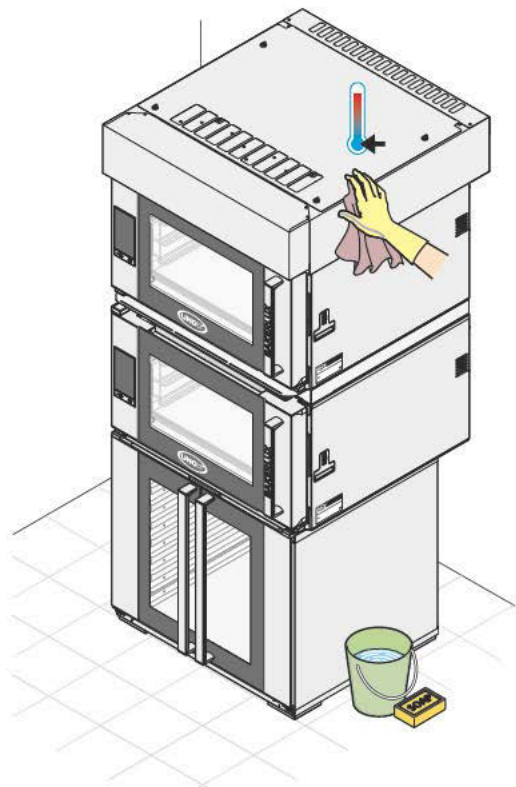
Do NOT clean using:

- abrasive or powder detergents;
- aggressive or corrosive detergents (e.g. hydrochloric/muriatic or sulphuric acid).
- abrasive or sharp tools (abrasive sponges, scrapers, steel bristled brushes, etc.);
- water jets.

EXTERNAL STEEL SURFACES

Wait for the surfaces to cool off.

Use a soft cleaning cloth dampened with a little soap and water only. Rinse and dry completely. Alternatively, only use detergents recommended by UNOX; other products may cause damage, thereby invalidating the guarantee*. Read the usage instructions provided by the detergent producer.

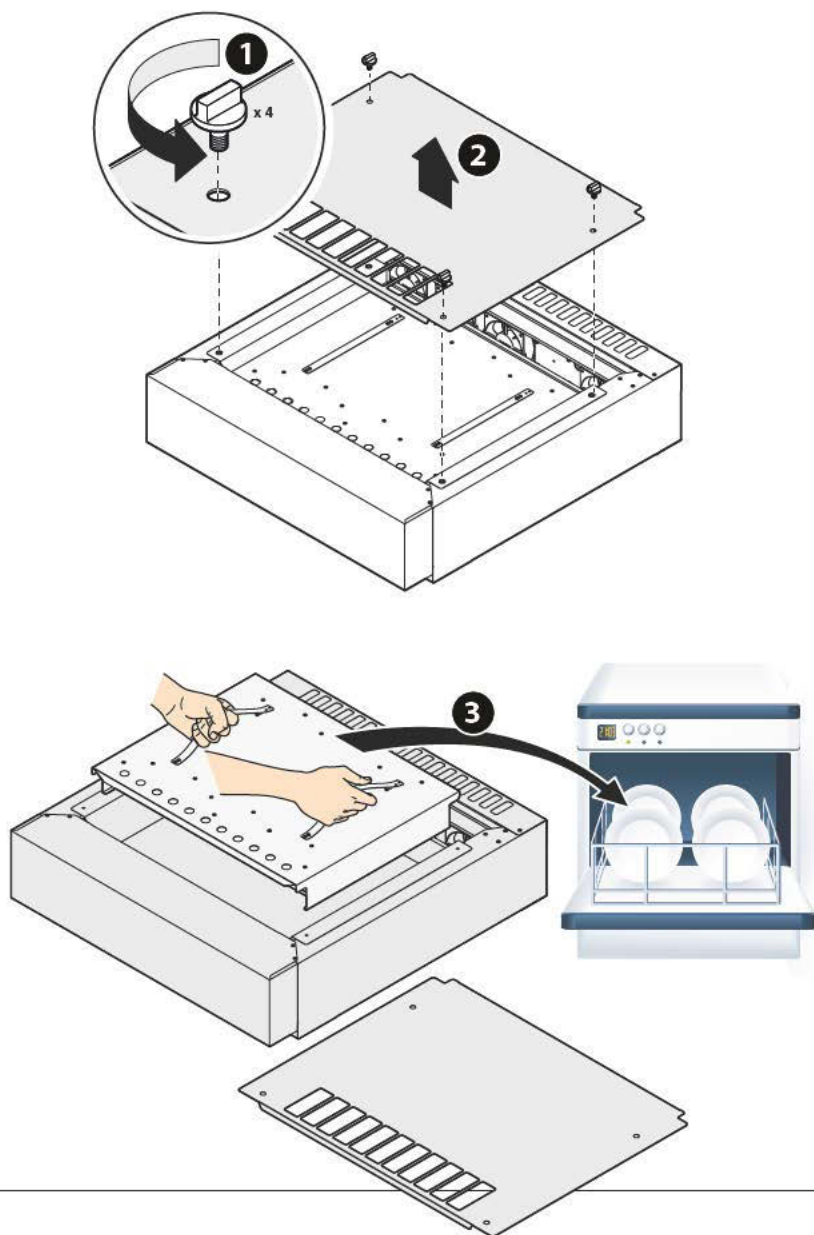


*For further details go to the "Warranty" section of the www.unox.com website

CLEANING THE CONDENSER

The condenser can be removed as needed, after disconnecting the hood from the electrical power supply. It can be washed in a dishwasher on a normal wash cycle.

Before putting it back, make sure that it is completely dry.



INACTIVITY

During periods of inactivity, take the following precautions:

- disconnect the appliance from the power and water supplies;
- rub a soft cloth lightly doused with mineral oil on all stainless steel surfaces;

Before reusing the appliance:

- clean the appliance and its accessories thoroughly (see chapter "Routine maintenance" on page 30);
- connect the appliance to the power and water supplies;
- inspect the appliance;



To ensure that the appliance is in perfect condition in terms of use and safety, maintenance and inspections should be performed yearly by an authorised support service centre.

DISPOSAL

Pursuant to article 13 of Legislative Decree 49 of 2014 "Implementation of the WEEE Directive 2012/19/EU on electrical and electronic equipment waste":



The barred symbol of the rubbish bin specifies that the product was placed on the market after August 13, 2005 and that at the end of its useful life it should not be treated as other waste, but must be collected separately.

All appliances are made with recyclable metal materials (stainless steel, iron, aluminium, galvanized steel, copper, etc.) in percentages higher than 90% by weight.

Before disposal, make the appliance unusable by removing the power cable and any compartment or cavity closure device (where present).

At the end of its useful life, this product must be handled so as to reduce the negative impact on the environment and improve the efficiency of resource use by applying the principles of "the polluter pays", prevention, preparation for reuse, recycling and salvaging. Please remember that illegal or incorrect disposal of the product leads to the application of the penalties provided for by current legal provisions.

Information on disposal in Italy

In Italy, WEEE appliances must be delivered to:

- recycling centres (also known as waste disposal sites/facilities)
- the dealer from whom new appliances are purchased, who is required to collect them free of charge ("one-for-one" collection);

Information on disposal in European Union countries

The EU Directive on WEEE appliances has been implemented differently by each country. Therefore, if you want to dispose of this appliance, we recommend you contact your local authorities or dealer for information on the correct disposal method.

CERTIFICATION

EU declaration of conformity for electrical appliances

Manufacturer: UNOX S.p.A.

Address: Via Majorana, 22 - 35010 Cadoneghe, Padua, Italy

Declares, under its own responsibility, that the products.

XEKHT-ACHS

XEKHT-ACEU

comply with the Machinery Directive 2006/42/EC through the following standards:

EN 60335-1: 2014 +A11:2014

EN 60335-2-99: 2003

EN62233: 2008

comply with the Electromagnetic Compatibility Directive 2014/30/EU through the following standards:

EN 55014-1: 2006 + A1: 2009 + A2: 2011

EN 55014-2: 1997 + A1: 2001 + A2: 2008

EN 61000-3-2: 2006 + A1: 2009 + A2: 2009

EN 61000-3-3: 2008

EN 61000-3-11: 2000

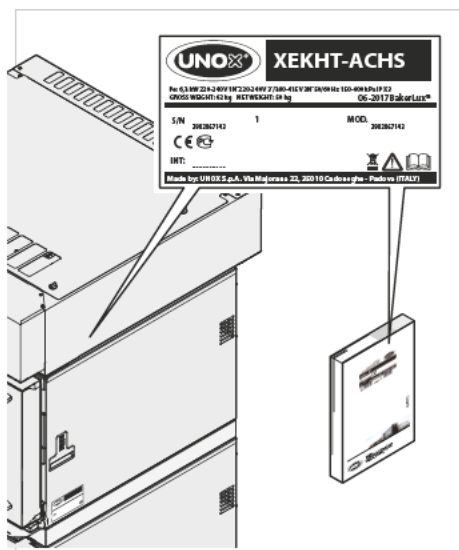
EN 61000-3-12: 2011

EN 61000-6-2: 2005

EN 61000-6-3: 2007

AFTER-SALES ASSISTANCE

In case of any malfunctions, disconnect the appliance from its power and water supply. Consult the solutions proposed in the table.



If the solution is not listed in the table, contact a technical service centre authorised by UNOX. Provide the following information:

- the date of purchase;
- the appliance data on the serial plate;
- any alarm messages that are shown on the display of the oven connected to the hood.

Manufacturer's information:

UNOX S.p.A.
Via Majorana, 22
35010 Cadoneghe (PD) Italy
Tel +39 049 86.57.511
Fax +39 049 86.57.555
info@unox.com www.unox.com

Malfunction	Possible cause	Solution
The hood cannot be engaged when a cooking cycle is started.	The hood is not connected to the power supply.	Connect the hood to the power supply.
	The hood was not connected to the oven vis RJ45 cable during installation.	Contact the Customer Assistance Service
	The RJ45 cable that connects the oven to the hood is disconnected or damaged.	
	The hood motor is faulty.	
	The motor starter capacitor is faulty.	
	The hood P.C.B. is damaged.	
	The oven P.C.B. is damaged.	
The hood does not achieve maximum speed when the oven door is opened.	The oven P.C.B. is damaged.	Contact the Customer Assistance Service
	The RJ45 cable is disconnected or damaged.	
	The hood motor is faulty.	
	The hood P.C.B. is damaged.	
	The oven P.C.B. is damaged.	
Door switch faulty.		

Malfunction	Possible cause	Solution
The water condensation system is faulty.	Water inlet closed.	Open water inlet.
	Plumbing has not been done correctly.	Make sure the appliance is connected to the water supply.
	The water intake filter is clogged by impurities.	Clean the filter.
	The water intake solenoid is damaged.	Contact the Customer Assistance Service
	The temperature sensor is damaged.	
The hood P.C.B. is damaged.		



INTERNATIONAL

UNOX S.p.A.

Via Majorana 22 / 35010 Cadoneghe (PD) Italy
Tel +39 049 8657511 / Fax +39 049 8657555

info@unox.com



INVENTIVE SIMPLIFICATION

EUROPE

ITALIA

UNOX S.p.A.
E-mail: info@unox.it
Tel.: +39 049 86 57 511

ČESKÁ REPUBLIKA
UNOX DISTRIBUTION s.r.o.
E-mail: info.cz@unox.com
Tel.: +420 241 940 000

РОССИЯ, ПРИБАЛТИКА И СТРАНЫ СНГ
UNOX РОССИЯ
E-mail: info.ru@unox.com
Tel.: +7 (499) 702-00-14

ESPAÑA
UNOX PROFESIONAL ESPAÑA S.L.
E-mail: info.es@unox.com
Tel.: +34 900 82 89 43

SCANDINAVIAN COUNTRIES
UNOX SCANDINAVIA AB
E-mail: info.se@unox.com
Tel.: +46 (0)768 716 422

UNITED KINGDOM
UNOX UK Ltd.
E-mail: info@unoxuk.com
Tel.: +44 1252 851 522

PORTUGAL
UNOX PORTUGAL
E-mail: info.pt@unox.com
Tel.: +351 918 228 787

DEUTSCHLAND

UNOX DEUTSCHLAND GmbH
E-mail: info.de@unox.com
Tel.: +49 2951 98760

FRANCE, BELGIUM & LUXEMBOURG
UNOX FRANCE s.a.s.
E-mail: info@unox.fr
Tel.: +33 4 78 17 35 39

ÖSTERREICH
UNOX ÖSTERREICH GmbH
E-mail: bestellung@unox.com
Tel.: +43 800 880 963

HRVATSKA
UNOX CROATIA
E-mail: naruذبe@unox.com
Tel.: +39 049 86 57 538

TÜRKİYE

UNOX TURKEY Profesyonel Müfzak Ekip-
manları Endüstri ve Ticaret Limited Şirketi
E-mail: info.tr@unox.com
Tel.: +90 530 176 62 03

IRELAND
UNOX IRELAND
E-mail: info.ie@unox.com
Tel.: +353 (0) 87 32 23 218

БЪЛГАРИЯ
UNOX BULGARIA
E-mail: info.bg@unox.com
Tel.: +359 88 23 13 378

ASIA & AFRICA

MALAYSIA & SINGAPORE
UNOX (ASIA) SDN. BHD
E-mail: info.asia@unox.com
Tel.: +603-58797700

OTHER ASIAN COUNTRIES
UNOX (ASIA) SDN. BHD
E-mail: info.asia@unox.com
Tel.: +603-58797700

PHILIPPINES
UNOX PHILIPPINES
E-mail: info.asia@unox.com
Tel.: +63 9173108084

대한민국
UNOX KOREA CO. Ltd.
이메일: info.asia@unox.com
전화: +82 2 69410351

AMERICA & OCEANIA

U.S.A. & CANADA
UNOX Inc.
E-mail: info.usa@unox.com
Tel.: +1 800 489 8669

MEXICO
UNOX MEXICO, S. DE R.L. DE C.V.
E-mail: info.mx@unox.com
Tel.: +52 1555 4314 180

BRAZIL
UNOX BRAZIL
E-mail: info.br@unox.com
Tel.: +55 11 98717-8201

U.A.E.
UNOX MIDDLE EAST DMCC
E-mail: info.uae@unox.com
Tel.: +971 55 426 3167

SOUTH AFRICA
UNOX SOUTH AFRICA
E-mail: info.sa@unox.com
Tel.: +27 845 05 52 35

INDONESIA
UNOX INDONESIA
E-mail: info.asia@unox.com
Tel.: +62 81908852999

中华人民共和国
UNOX TRADING (SHANGHAI) CO. Ltd.
电子邮件: info.china@unox.com
电话: +86 21 56907696

COLOMBIA
UNOX COLOMBIA
E-mail: info.co@unox.com
Tel.: +57 350 65 88 204

AUSTRALIA
UNOX AUSTRALIA PTY Ltd.
E-mail: info@unoxaustralia.com.au
Tel.: +61 3 9876 0803

NEW ZEALAND
UNOX NEW ZEALAND Ltd.
E-mail: info@unox.co.nz
Tel.: +64 (0) 800 76 0803

L11421A 0.D00-LDI-01 - Printed: 12-2017
All images used are for illustrative purposes only.
All features indicated in this catalogue may be subject to change and could be updated without notice.

UNOX.COM | FOLLOW US ON

