



**Instruction manual**

**ENGLISH**

**XLT133 - XLT135**  
**XLT193 - XLT195**

**ATTENTION: Read the instruction before use**



<b>INTRODUCTION</b>	<b>3</b>
EXPLANATION OF PICTOGRAMS	3
FORWARD	4
SAFETY REGULATIONS	4



<b>INSTRUCTIONS FOR THE INSTALLER</b>	<b>6</b>
---------------------------------------	----------



<b>INSTRUCTIONS FOR THE USER</b>	<b>17</b>
----------------------------------	-----------

## INTRODUCTION

Dear Customer,

We would like to congratulate and thank you for choosing to purchase an appliance in the **LineMiss™** range; we hope this is just the beginning of a fruitful and long-lasting partnership.

Your prover allows accurate and precise control over leavening temperature and humidity, drastically reducing times when employing traditional methods. Excellent results that are true to tradition are guaranteed.

The **XLT135** and **XLT195** prover, integrated to the **LineMiss™** ovens allow for a complete and versatile cooking column for every type of use

UNOX S.p.A.

Dealer:

Installer:

Installation date:

## Explanation of pictograms



Danger! Situation presenting immediate danger, or a hazardous situation which could cause injury or death.



Danger: fire hazard!



Danger: electric shock!



Read operator's manual



Danger: risk of burns



Tips and useful information



Protective earth symbol



Equipotentially symbol



Consult other chapter



## Forward

---

This booklet shows the installation and use of provers mod. **XLT133**, **XLT135**, **XLT193** and **XLT195**.

The **XLT133** and **XLT193** models have their own manual controls and do not need to be combined to a **LineMiss™** oven.

The **XLT135** and **XLT195** models are controlled from the control panel on the **LineMiss™ Dynamic** or **Matic** oven to which they are connected with a data cable.

The installation and user instructions are valid for all models unless otherwise specified.

## Safety regulations

---



### Safety regulations for installation and maintenance

- **Read this guide carefully before installing and maintaining the appliance, and conserve this guide with care for any future consultation of users.**
- **All installation, assembly and non-routine maintenance operation must be performed exclusively by qualified technicians that are authorized by UNOX, in compliance with the regulations in force in the user country, with respect to the regulations on systems and work safety.**
- Before starting installation or maintenance disconnect the appliance from any electrical or plumbing connections (models **XLT135** and **XLT195**).
- Check that systems are compliant to the installation country standards and to the specifications indicated on the appliance rating plate before installing the appliance.
- Interventions, tampering or modifications not expressly authorized that do not comply with the indications in this manual shall invalidate the guarantee.
- Installation or maintenance that fails to respect the indications in this manual may cause damage, injury or fatal accidents.
- Persons not involved with appliance installation may not pass through or occupy the work area during appliance assembly.
- Given its potential danger, the package material must be kept out of reach of children or animals, and properly disposed of as called for by local regulation.
- The ratings plate provides essential technical information that is of utmost importance for any appliance maintenance or repairs. Do not remove, damage or modify the plate.
- Failure to follow these regulations may cause damage and (fatal) injury, invalidates the guarantee and relieves UNOX of all liability.



### Safety regulations for use

- **Read this guide carefully before using the appliance and performing routine maintenance, and conserve this guide with care for any future consultation of users.**
- **Following procedures other than those indicated in this guide to use and clean the appliances is considered inappropriate and may cause damage, injury or fatal accidents; in addition to invalidating the guarantee and relieving UNOX of all liability.**
- This appliance can be used by children aged from 8 years and above and persons with reduced physical, sensory or mental capabilities or lack of experience and knowledge if they have been given supervision or instruction concerning use of the appliance in a safe way and understand the hazard involved. Children shall not play with the appliance. Cleaning and user maintenance shall not be made by children without supervision.
- Children must be supervised to ensure they do not play with the appliance.

- This appliance can be used exclusively
  - by qualified personnel that attend scheduled training courses;
  - paired with **LineMiss™ Dynamic** or **Matic** ovens (only models **XLT135** and **XLT195**) models.
  - for leavening baked goods.
- Monitor the appliance during its entire operation cycle.
- If the appliance does not function or if there are any functional or structural alterations, disconnect the electricity and water supplies and contact a UNOX authorized customer assistance service. Do not attempt to independently repair the appliance. Request UNOX original spare parts for any repairs necessary.
- To ensure that the appliance is in perfect use and safety conditions, maintenance and inspections should be performed yearly by an authorised customer assistance service.
- Maximum tray weight allowed is 5 Kg: heavier loads damage the lateral metal guides and trays.



#### **RISK OF BURNS and INJURY!**

- While leavening and during cooling of all appliance parts, be careful to:
  - Touch only the appliance handle because all external parts are hot.
  - If it is necessary to open the door, perform this operation slowly and with utmost caution while careful of extremely hot exhaust steam released from the prover cavity.
  - Wear heat resistant clothing appropriate to the use at hand to move containers, accessories and other objects inside the prover cavity.
  - Be careful when removing the trays from the prover cavity; be particularly careful for any spills if the trays contain liquids.
- When the trays contain fluids or are filled when leavening, do not use racks that do not allow you to see inside the tray.



#### **RISK OF FIRE!**

- Make sure that there are no inappropriate objects in the appliance before use (i.e. instruction booklets, plastic bags, etc...) or cleaner residuals.
- **Do not place sources of heat (i.e. grills, fryers, etc.), highly flammable substances or fuels in the vicinity of the appliance (i.e. gasoline, petrol, bottles of alcohol, etc...).**
- Always keep the prover cavity clean, performing daily cleaning or after each use: fats or food residue left inside the appliance could ignite!



#### **RISK OR ELECTRICAL SHOCK**

- Do not open the compartments marked with these symbols: access is reserved to qualified personnel authorised by UNOX.
- Failure to observe these regulations may cause damage and (fatal) injuries, and also invalidates the guarantee.



## INSTRUCTIONS FOR THE INSTALLER



### Contents

---

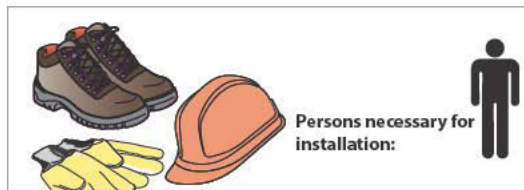
Unpacking .....	7
Removing the protective film .....	9
Checking package contents .....	9
Positioning .....	10
Characteristics of the installation area .....	10
Appliance distances .....	11
Floor or mobile-base positioning .....	11
Fixing with the <b>LineMiss™</b> oven .....	12
Electrical connections .....	13
Checks .....	14
Plumbing connections .....	14
Plumbing: water supply .....	15
Water supply: specifications .....	15
Oven and prover coupling (only mod. XLT135 - XLT195) .....	16
Appliance inter-connection with cable .....	16



Before installing the appliance carefully read chapter "Safety regulations" on page 4 and the chapter "Forward" on page 4.

During installation, wear proper protective clothing (protective footwear, gloves, etc.).

## Unpacking

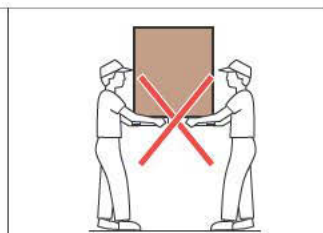
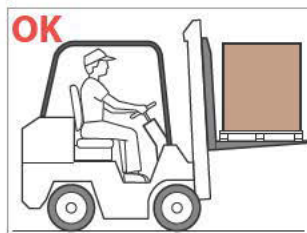
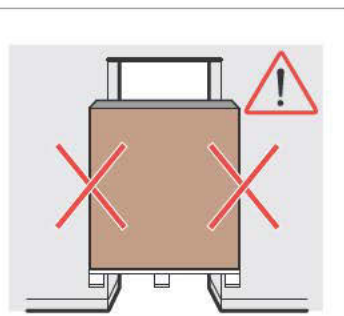
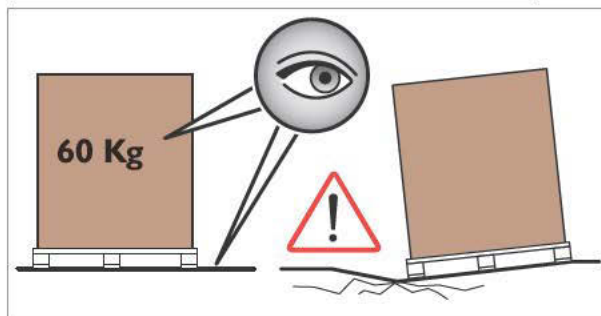
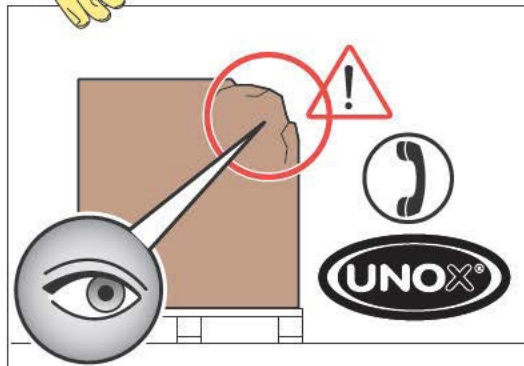


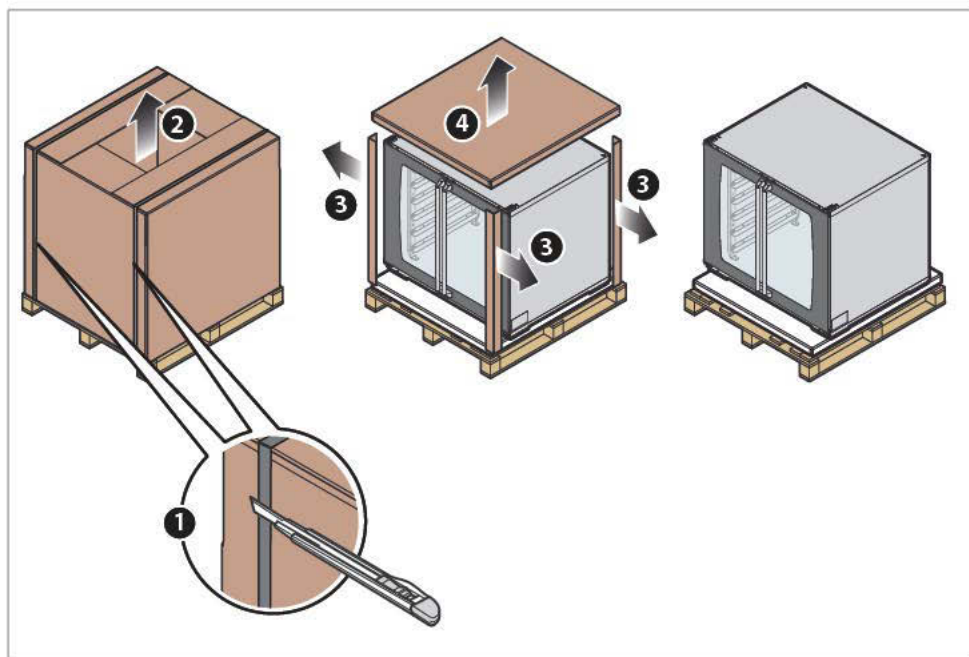
Check the package at reception for any visible damage. If damage is found, promptly contact UNOX and DO NOT install the appliance.

Before transporting the appliance to its installation point, make sure that:

- it easily passes through doorways;
- the floor supports its weight.

Transport must be exclusively performed by mechanical means (i.e. transpallet lifter).

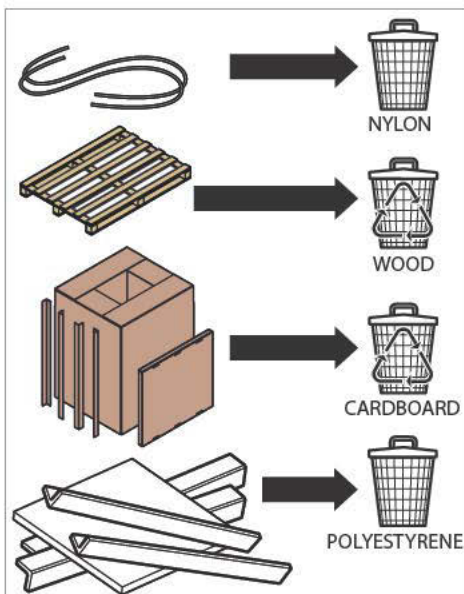




Given their potential danger, the packaging materials must be kept out of reach of children and animals, and correctly disposed of in compliance with local regulations.

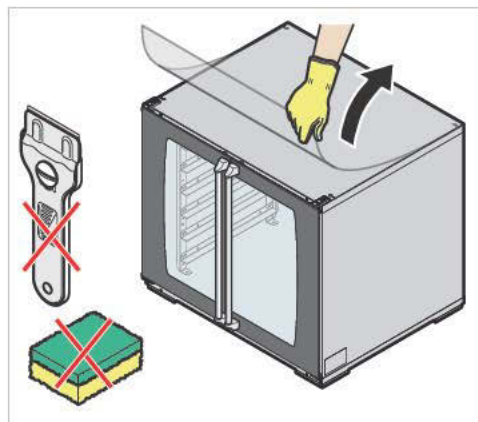
UNOX has followed the **NON-STOP Efforts** philosophy for years to increase the environmental computability of its products to reduce energy consumption and wastes.

UNOX wishes to protect the environment and invites the consumer to dispose of waste in recycling bins.





## Removing the protective film

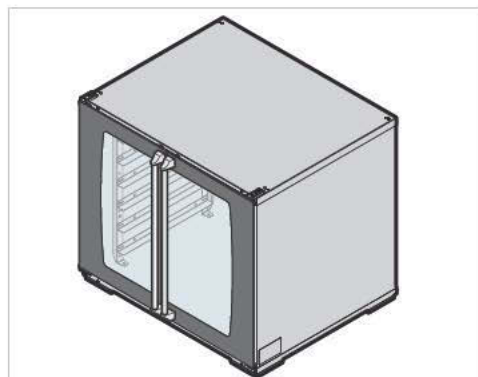


Slowly remove the protective films from the appliance: clean any glue residue with appropriate solvents without using tools, abrasive detergents or acids that could ruin the surfaces.



The removed film, given its potential danger, must be kept out of reach of children and animals; and correctly disposed of in compliance with local regulations.

## Checking package contents



Before installing the appliance, check that the following packaged components are present and free of damage:

- covers models **XLT133**, **XLT135**, **XLT193**, or **XLT195**;
- technical documentation (installation and use booklet);
- two-piece cable gland and self-threading screws;
- 4 supports for housing legs + 4 self-threading screws to fix them to the oven;
- 4 self-tapping screws.

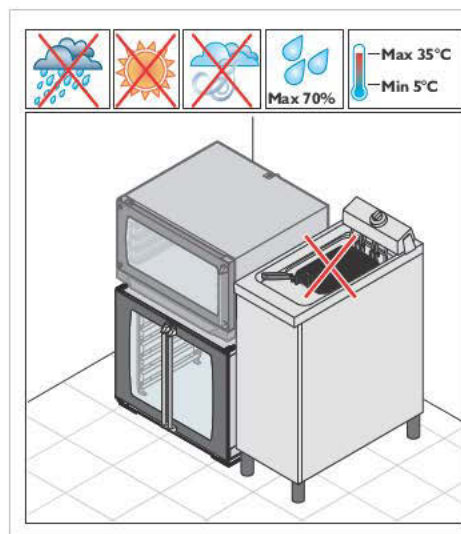
Contact UNOX if any pieces are missing.





## Positioning

### Characteristics of the installation area



Install the appliance in areas:

- dedicated and conform to cooking industrial foods;
- having adequate air ventilation;
- that comply with the laws in effect on system and work safety;
- protected against atmospheric agents;
- with temperatures between +5° to +35°C maximum;
- having a maximum humidity of 70%.

The installation areas must be equipped with electrical and plumbing systems that comply with the regulations on system and work safety of the country of use.

The appliances must be mounted only under ovens from the **LineMiss™** line and fixed to them according to the instructions in chapter "**Fixing with the LineMiss™ oven**" on page 12.



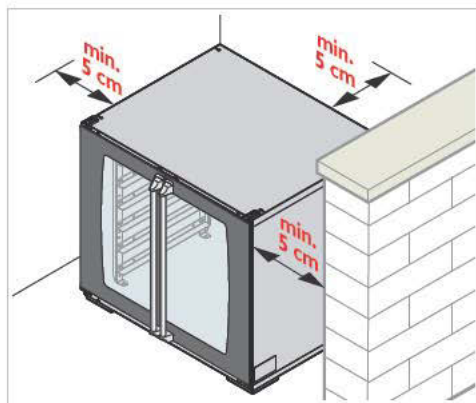
**The appliance cannot be recess installed. Make sure that the floor supports the weight of the appliance when assembled with the above appliances (see "Table A").**

Table A

MODELS	Capacity no.	Size (LxWxH)	Weight* kg	Voltage V	Frequency Hz	Power kW
XLT133 - <i>Manual</i>	8 trays 460x330	600x678x774 mm	22 kg	220-240V	50/60	1.2
XLT135 - <i>Dynamic</i>	8 trays 460x330	600x678x774 mm	22 kg	220-240V	50/60	1.2
XLT193 - <i>Manual</i>	8 trays 600x400	800x759x774 mm	37 kg	220-240V	50/60	1.2
XLT195 - <i>Dynamic</i>	8 trays 600x400	800x759x774 mm	37 kg	220-240V	50/60	1.2

\* the values refer to the appliance when empty

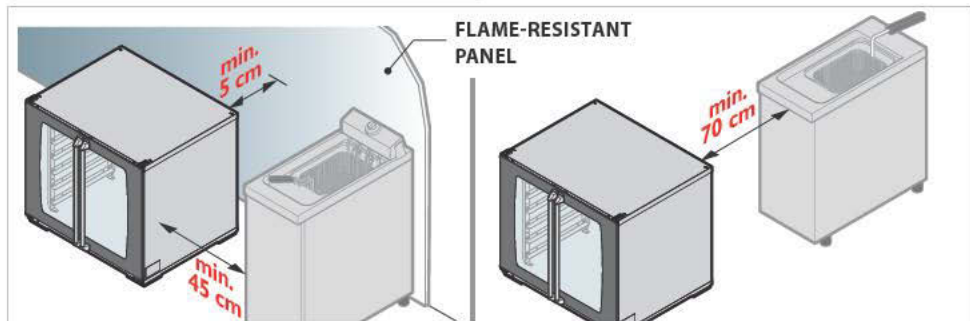
## Appliance distances



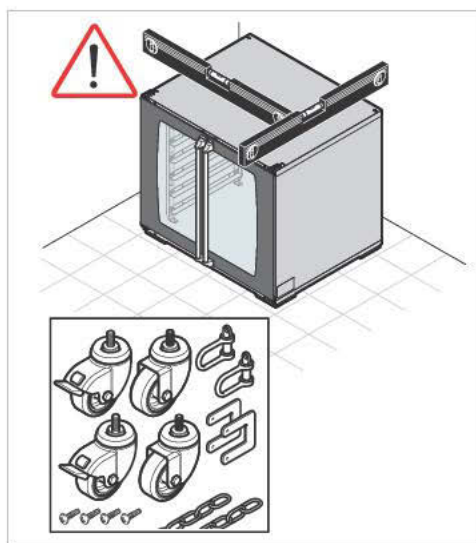
Position the appliance respecting the distances in the figure and so that the back wall is easily accessible for appliance connections and maintenance.



**Do not install the appliance near easily inflammable or heat sensitive materials, walls or furniture. Otherwise, protect them with appropriate non-inflammable materials in compliance with fire prevention regulations.**



## Floor or mobile-base positioning



The floor beneath the appliances must:

- be flame and heat resistant;
- be perfectly level;
- have a flat and even surface;
- be able to support the appliance weight at full load and assembled to the oven without undergoing deformation or structural failure.

### Positioning: free-standing

Position the appliances directly on the floor and **always check that they are perfectly level** with a spirit or digital level. Level by adjusting the appliance feet without fully unscrewing them.

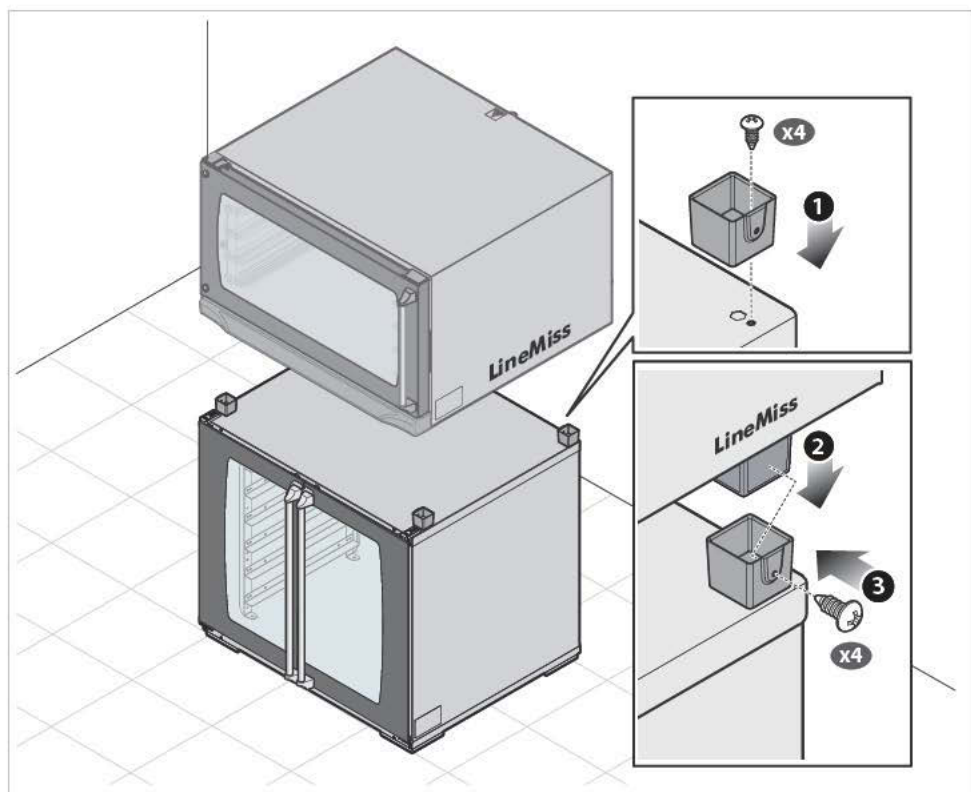
### Positioning: mobile bases



**Move the appliance using only the UNOX wheel kit and by following the instructions contained on the kit packaging.**



## Fixing with the LineMiss™ oven



## Electrical connections



Before installing the appliance carefully read chapter "Safety regulations" on page 4.



Connections to the power main and the electrical system must comply with the regulations in force in the country of installation of the appliance; and all connections must be performed by qualified personnel authorised by UNOX. Failure to comply with these regulations may cause damage and injuries, invalidates the guarantee and relieves UNOX of all liabilities.



Before connecting the appliance to the electricity mains, always compare the power supply data with that of the appliance specified on the rating plate.

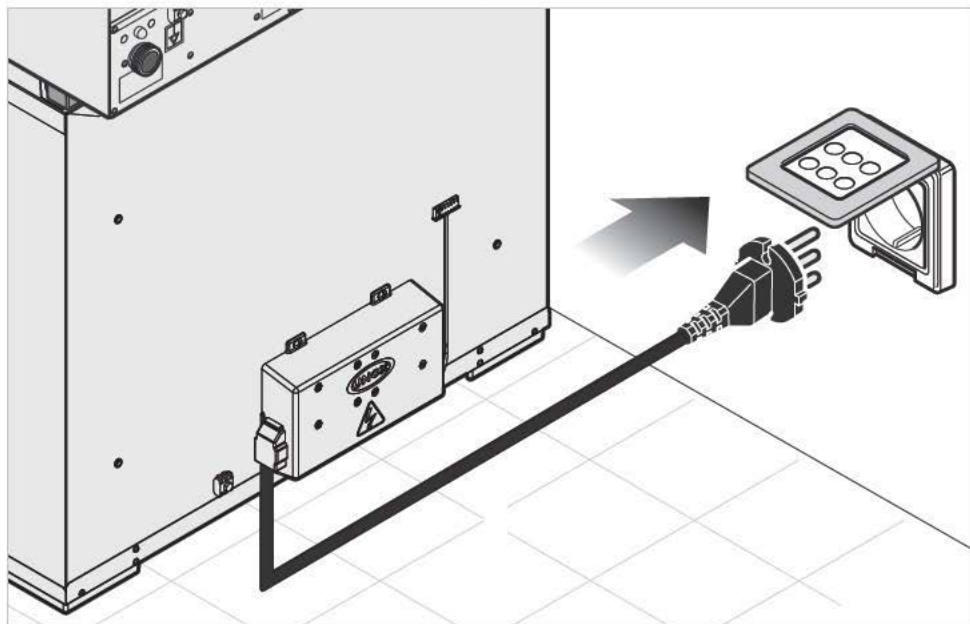
The appliance has its power cable already factory mounted to the terminal board; may **not undergo any other type of electrical connection** and **no dimensional modification of the cable** other than extensions, replacing it only with one having specifications equal to the original factory cable (type of rubber, cross-section, etc.)



The cable must be replaced by UNOX or by its technical assistance service, and in all cases by a person with similar qualification in order to avoid possible risks.




The wiring diagrams, wire specifications and the technical data are indicated on the "Technical specifications" sheet attached to the appliance.






For proper electrical connections, the appliance must:

- Be wired into an equipotential system in accordance with current regulations. this connection must be performed between different appliances with the terminal marked with the equipotential symbol .

The cable must have a maximum cross-section of 10 mm<sup>2</sup> (pursuant standard CEI EN 60335-2-42:2003-09) and be of yellow-green colour.

- Must be grounded  to the earthing (green-yellow wire).
- must be connected to a thermal differential switch as in compliance with the regulations in force;
- Must be connected to an omnipolar circuit breaker.

## Checks

- The copper jumper and the electrical cable must be secured together beneath the screw in its tightening direction; and the electrical connections must be well secured before connecting the appliance to the electricity mains.
- check for any electrical dispersion between the phases and the ground, and for electrical continuity between the external casing and the main ground line.
- Check that the power supply voltage does not deviate from the nominal voltage value specified on the appliance rating plate when the appliance is operating.

## Plumbing connections

### Plumbing: water supply

The appliance must be connected to the water mains with the pipe with a 3/4" fitting for the connection to the water network. Before connecting the water pipe to the appliance, flush it out with water in order to eliminate any residues. A shut-off valve should be positioned between the water mains and the appliance.

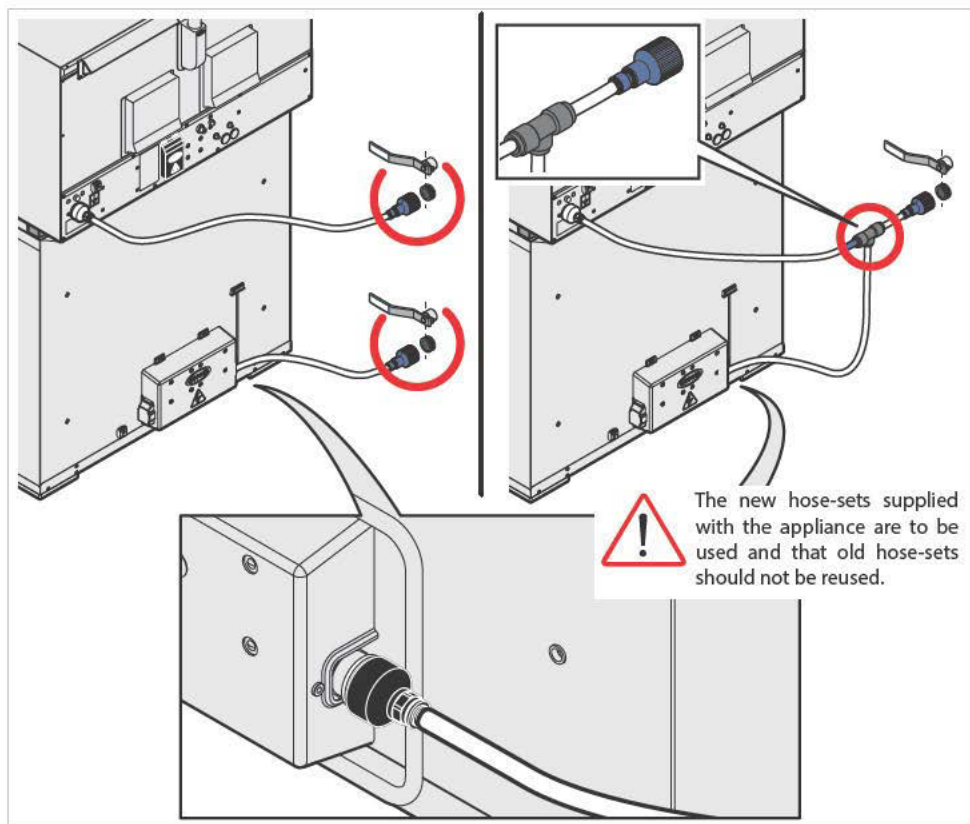
### Water supply: specifications

Inlet water must have the following specifications:

- maximum water temperature of 30 °C;
- drinking water;
- maximum water conductivity of 150 µS/cm
- maximum water hardness of 7 °f;
- water pressure between 1.50 and 6 bar.

Contaminant Inlet Water Requirements (untreated water):

- Free Chlorine: less than 0.1 ppm (mg/L);
- Chloride: less than 30 ppm (mg/L); ph: 7.0 to 8.5;
- Alkalinity: less than 50 ppm (mg/L);
- Silica: less than 12 ppm (mg/L);
- Total Dissolved Solids (tds): less than 60 ppm.





## Oven and prover coupling (only models XLT135 - XLT195)

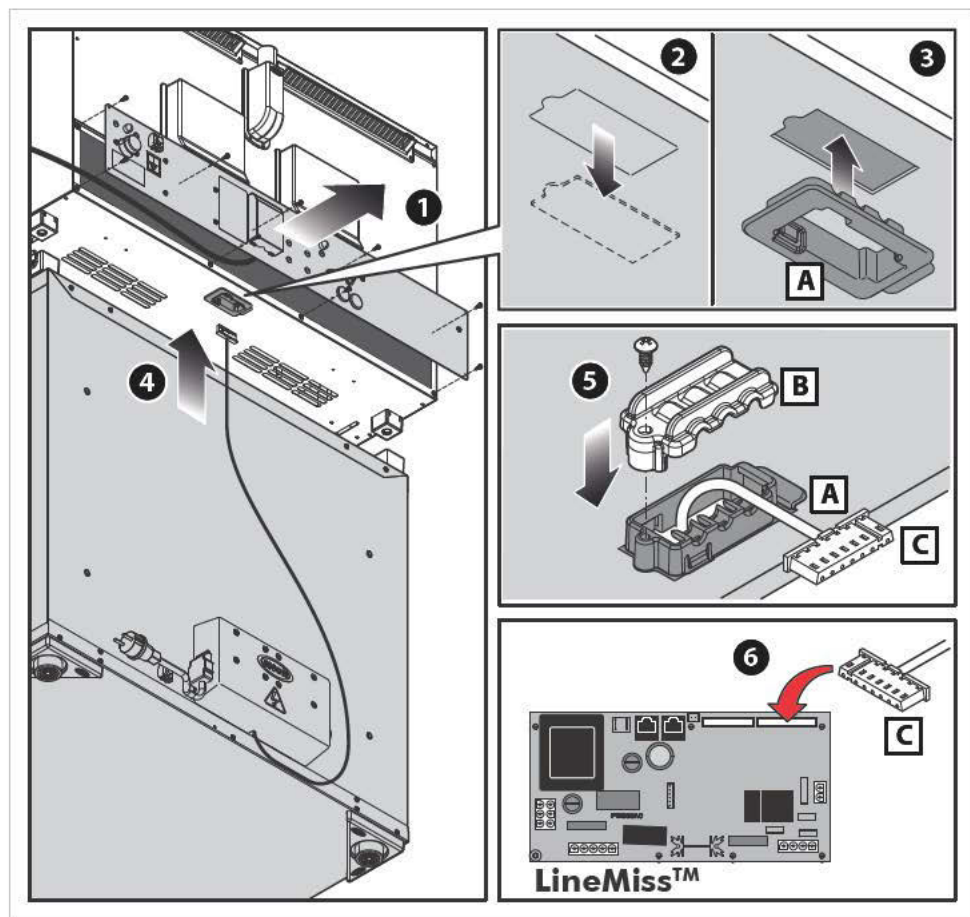
### Appliance inter-connection with cable

The **XLT 135- XLT195** appliances are designed to be connected to the **LineMiss™** ovens.

**The appliances are connected to the oven with the coupler and they connect automatically.**

Disconnect all appliances from the electricity mains.

- 1 Remove the back sheet metal from the oven in order to access the power board of the **LineMiss™** oven.
- 2 Remove the pre cut sheet metal from the bottom of the **LineMiss™** oven.
- 3 Insert the cable gland "A" grille in the hole;
- 4 Introduce the "C" end of the cable coming from the prover through the "A" grille.
- 5 Secure the cable by inserting the upper part of the "B" grille.
- 6 Insert the end of the cable in the proper female coupler found on the power board of the **LineMiss™** oven.
- 7 Reconnect all the appliances to the electricity mains.







# INSTRUCTIONS FOR THE USER



## Contents

---

General appliance operating instructions	18
Using mod. XLT133 - XLT193 <i>Manual</i>	18
Using mod. XLT135 - XLT195 <i>Dynamic</i>	19
Prover selection	19
Parameter settings	20
Routine maintenance	22
External steel structures, prover cavity seal	22
Internal door window	22
Plastic surfaces and control panel (mod. XLT133 - XLT193)	22
Prover cavity	23
Inactivity	23
Disposal	23
After-sales assistance	24
Certification	25
Guarantee	25



## INSTRUCTIONS FOR THE USER



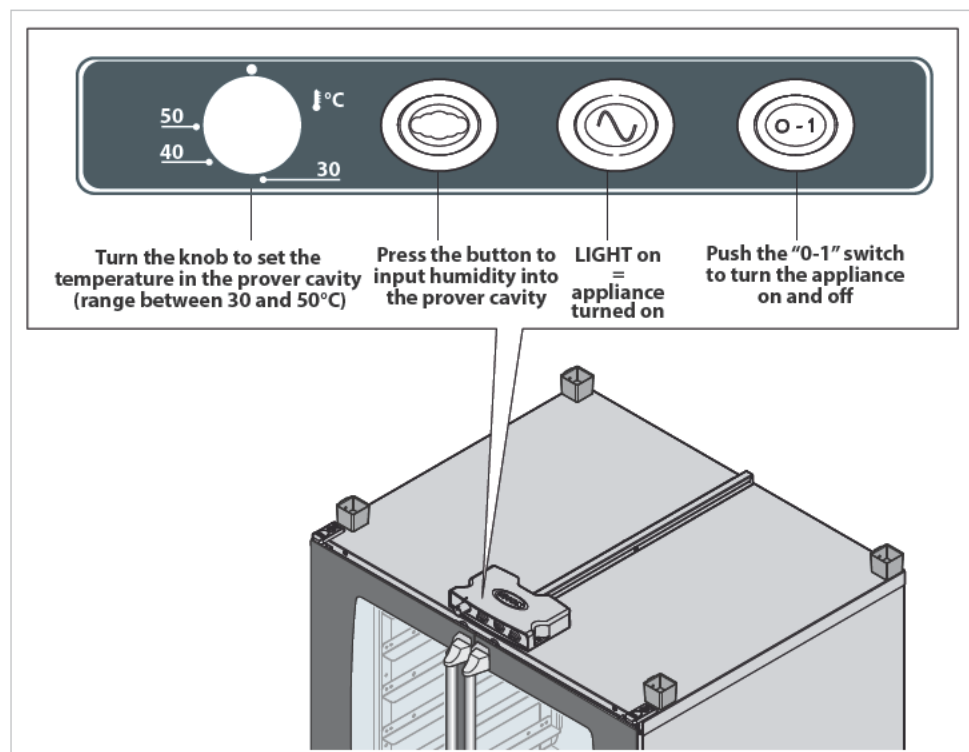
Before using the appliance:

- make sure that you have a system conformity and use permit certificate that is issued by a UNOX authorised installer;
- carefully read the chapter "Safety regulations" on page 4 and the chapter "Forward" on page 4.

### General appliance operating instructions

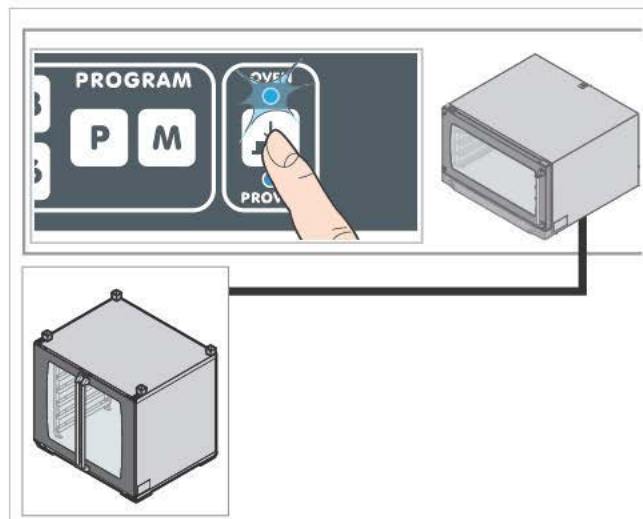
- When using the appliance for the first time, be sure to thoroughly clean the inside of the prover cavity and the accessories (see chapter "Routine maintenance" on page 22); let the prover run empty at maximum temperature for 1 hour to eliminate any unpleasant odours caused by the protective greases used in the factory.
- (only for mod. **XLT 135- XLT195**) If no button is pressed within 15 minutes and there is no operating appliance connected to the control panel of the same oven, the electronic controls go into stand-by mode: only the START/STOP LED remains lit. Simply press the START/STOP button to reactivate the electronic controls.
- Operate the appliance at a room temperature between +5°C and +35°C.
- Do not salt food inside the prover cavity. If not avoidable, ensure cleaning of the appliance in the shortest time possible (see chapter "Routine maintenance" on page 22);
- Maximum tray weight allowed is 5 Kg; heavier loads damage the lateral metal guides and trays.

### Using mod. XLT133 - XLT193 *Manual*




## Using mod. XLT135 - XLT195 *Dynamic*

### Prover selection



The **XLT135-XLT195** prover does not have its own control panel. Its operation is directly controlled by the control panel of the **LineMiss™** to which it is connected via a cable.

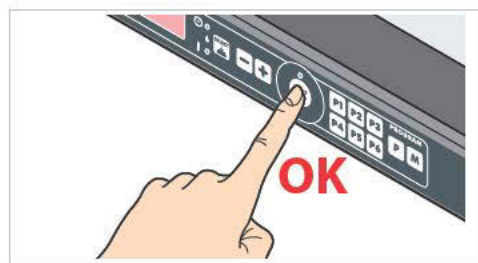
The  button (found on the **LineMiss™ Dynamic and Matic** models) switch over from "OVEN" (oven) to "PROVER" (prover) and vice versa.

Make sure the "PROVER" (prover) LED is on when using the prover.

The oven control panel is used by pressing the screen-printed keypad.

**Press only with fingers and no other objects, such as knives, forks, etc...**

This technology makes cleaning the control panel quick and easy, while guaranteeing maximum reliability and durability and avoiding any type of mechanical shifting.





## Parameter settings

A leavening process may be made up of only 1 STEP (for more information on the definition of STEP, read the "Use" section in the manual of the **LineMiss™** oven).


The user can set the following parameters: LEAVENING TIME, TEMPERATURE, HUMIDITY.



### SETTING THE LEAVENING DURATION



"INF"  
CONTINUOUS OPERATION

← [-] 0.00 [+] → 9.59  
MINIMUM DURATION MAXIMUM DURATION

1 Make sure that the "DURATION" LED is lit, if this is not the case, press the  button repeatedly until it lights up.

2 Set the desired value by pressing the   buttons.

3 The display shows the parameter in hours and minutes (e.g. 130= 1 hour and 30 minutes).

**CONTINUOUS OPERATION** (the prover operates continuously until the user intervenes manually)  
STEP 1 -> set the parameter on "INF" (infinite).  
The temperature depends on the parameter set with the dedicated parameter (see next section).



### SETTING PROVER TEMPERATURE



"PAU"  
OVEN PAUSED  
FAN/RESISTORS OFF

← [-] 0°C [+] → 50°C  
MINIMUM TEMPERATURE MAXIMUM TEMPERATURE



1 Press the  button until the "TEMPERATURE" LED lights up.

2 Set the desired value by pressing the   buttons.

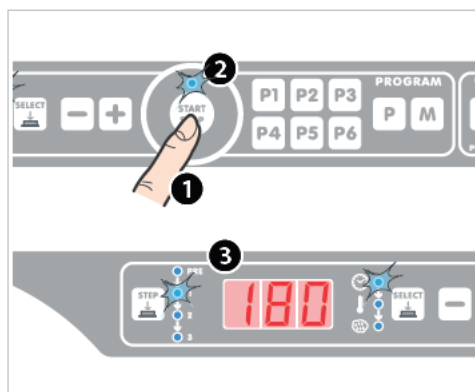
3 The display shows the parameter in centigrade (°C).

## SETTING HUMIDITY (STEAM.Plus™)



- 1 Press the  button until the "HUMIDITY" LED turns on -> the "H20" lettering turns on
- 2 By pressing the  button, input the desired amount of water.

## START / INTERRUPTION / SHUT-DOWN OF THE PROVER






Set a leavening cycle:

- 1 press the START/STOP button to start the leavening cycle.
- 2 The "START/STOP" LED turns on and the leavening cycle starts automatically.
- 3 A display flashes the decremental leavening cycle duration (if the duration is selected).

The prover beeps to signal leavening phase end. Press the START/STOP button for 2/3 seconds to interrupt the leavening cycle in advance. To activate the stand-by mode, hold the START/STOP button for about 6 seconds; to reactivate it press the START/STOP button again.

## MODIFYING PARAMETERS DURING LEAVENING

If a leavening parameter must be modified after the leavening cycle has initiated (such as cooking time or temperature):

- 1 repeatedly press the  button until the LED corresponding to the target parameter to be modified lights up;
- 2 press the   buttons until the new desired value is set; the changes should take immediate effect without having to press any other buttons.



## Routine maintenance



**Any routine maintenance procedure must be performed:**

- after disconnecting the appliance from the power and water supplies;
- after having put on the proper personal protection equipment (i.e. gloves, etc...).

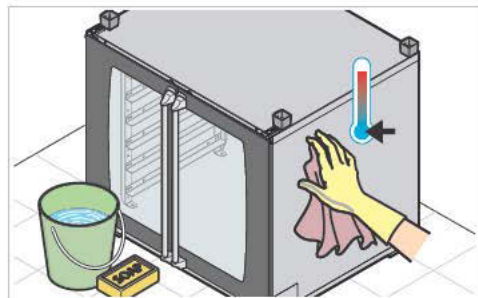
Clean the appliances on a daily basis in order to maintain a good level of hygiene and to avoid corrosion or deterioration of the stainless steel.



Do NOT clean using:

- abrasive or powder detergents;
- aggressive or corrosive detergents (i.e. hydrochloric/muriatic or sulphuric acid).
- abrasive or sharp tools (i.e. abrasive sponges, scrapers, steel bristled brushes, etc...);
- water jets.

### External steel structures, prover cavity seal



**Wait for the surfaces to cool off.**

Use only a soft cleaning cloth dampened with a little soap and water. Rinse and dry completely. In alternative, only use detergents recommended by UNOX; other products may cause damage thereby invalidating the guarantee. Read the instructions provided by the detergent producer for their use.

### Internal door window

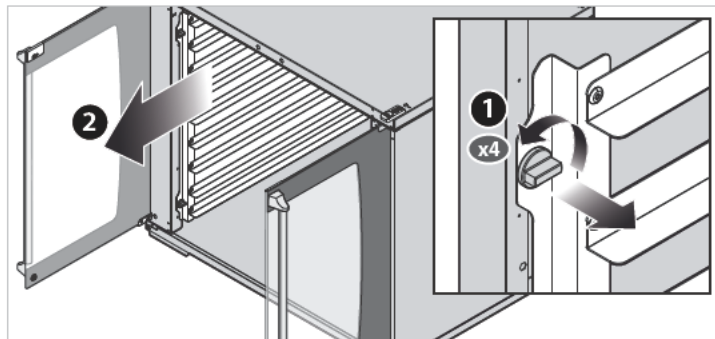
**Wait for the windows to cool off.**

Use only a soft cleaning cloth dampened with a little soap and water or specific glass cleaners. Rinse and dry completely.

### Plastic surfaces and control panel (mod. XLT133 - XLT193)

Use only a very soft cloth and a little amount of product for the cleaning of delicate surfaces.

## Prover cavity



Follow the procedure below to clean the prover cavity:

- turn the prover on and set the temperature to 40°C;
- run the prover for 10 minutes;
- wait for the surfaces to cool off and clean with a soft cleaning cloth and non-aggressive cleaner;
- rinse completely to remove all residues.

Remove the side grill holder to make cleaning easier as shown in the figure.

Clean the grill holders with soapy water or specific cleaners; **do not clean inside the dishwasher.**

## Inactivity

Follow the precautions below during inactivity:

- disconnect the appliance from the power and water supplies (only models **XLT135-XLT195**);
- preferably pass a soft cloth moistened with mineral oil on all stainless steel surfaces;

At first reuse:

- clean the appliance and its accessories thoroughly (see chapter "*Routine maintenance*" on page 22);
- connect the appliance to its power and water supplies (only mod. **XLT135-XLT195**);
- inspect the appliance before using it;



**It is best to have an authorized customer assistance service perform maintenance and inspection on the appliance at least once a year to ensure top working and safety conditions.**

## Disposal at end of life

According to Art. 3 of the Decreto Legislativo n.49 of the Italian Legislation of the 2014 "Implementation of the WEEE Directive on Waste Electrical and Electronic Equipment 2012/19/EU".



The WEEE symbol of a crossed out wheeled bin with a black line under it specifies that the product has been placed on the market after the 13th August 2005 and that at the end of its life it must not be disposed of together with other refuse but must be disposed of separately.

All the equipment has been made with recyclable metal materials (stainless steel, iron, aluminium, zinc plate, copper, etc.) that as a percentage make up more than 90% of the weight.

The equipment must be made ready for disposal by removing the power cable and closing the door or any cavities (where present).

Attention must be paid to the management of this product at the end of its life, reducing any negative impact on the environment and improving the efficiency of resources, applying the principles of "who pollutes pays", prevention, preparation for re-use, recycling and recovery. An illegal or non-correct disposal of the product will lead to sanctions being applied as per current legislation.

### Information on disposal in Italy

In Italy all WEEE equipment must be delivered:

- to Collection Centres (also named "eco-islands" or "eco-platforms")
- to the dealers from which new equipment has been purchased, who is bound to collect the old equipment free-of-charge ("one in one out" collection);

### Information on disposal in European Union countries

The EU Directives on WEEE equipment has been implemented in different ways by different countries, therefore in order to dispose of this equipment correctly we suggest that you contact your local authority or your dealer in order to ask the correct method of disposal.



## After-sales assistance

In case of any malfunctions, disconnect the appliance from its power and water supply. Consult the solutions proposed in the "Table C".



If the solution is not listed in the table, contact a UNOX authorized technical customer service. Provide the following information:

- the date of purchase;
- the appliance data on the serial plate;

### Manufacturer's information:

UNOX S.p.A.  
Via Majorana, 22  
35010 Cadoneghe (PD) Italy  
Tel +39 049 86.57.511 - Fax +39 049 86.57.555  
info@unox.com www.unox.com

Table C

Malfunction	Possible cause	Possible solution
The prover fails to heat when a leavening cycle is activated.	The prover is not connected to the power supply.	Connect to the power supply.
	The P.C.B. is damaged.	Contact the Customer Assistance Service
	The prover resistor is damaged.	
	The prover temperature sensor is damaged.	
	only XLT135/195 models	
The cable that connect the oven to the prover is disconnected or damaged.		
When the prover starts a leavening cycle, it does not produce humidity	The prover is not connected to the water supply.	Connect the prover to the water supply.
	The water intake solenoid is damaged.	Contact the Customer Assistance Service
	The P.C.B. is damaged.	
	The prover humidity probe is damaged.	
only XLT135/195 models		



## Certification

---

### EU declaration of conformity for electrical appliances

Manufacturer: UNOX S.p.A.

Address: Via Majorana, 22 - 35010 Cadoneghe, Padua, Italy

Declares, under its own responsibility, that the products  
XLT193 - XLT135 - XLT193 - XLT195

comply with the Low Voltage Directive 2006/95/EC through the following standards:

- EN 60335-1: 2002 + A1: 2004 + A11: 2004 + A2: 2006 + A12: 2006+ A13: 2008 + A14: 2010 + A15: 2011
- EN60335-2-49: 2003 + A1: 2008
- EN62233: 2008

comply with the Electromagnetic Compatibility Directive 2004/108/EC through the following standards:

- EN 55014-1: 2006 + A1: 2009
- EN 55014-2: 1997 + A1: 2001 + A2: 2008 + IS: 2007
- EN 61000-3-2: 2006 + A1: 2009 + A2: 2009
- EN 61000-3-3: 2008

## Guarantee

---

Installation of the UNOX product must be performed by an Authorized UNOX Assistance Service. The installation date and appliance model must be documented by the end purchaser, by means of written confirmation or an installation invoice issued by the dealer or the Authorised UNOX Customer Assistance Service, otherwise this guarantee will not be valid;

The UNOX guarantee covers all malfunctions objectively linked to production defects. The guarantee excludes damage due to transport, poor product storage or maintenance or incorrect product use. Also excluded is damage due to installation not conform to the technical specifications provided by Unox and linked to the environment of use, such as, for example, unclean and aggressive water supply, low quality gas supply, or electrical supply failing to respect nominal voltage and power ratings.

The guarantee also excludes any damage due to power surges or tampering by unauthorized or incompetent persons. The guarantee is also invalidated for damage to the appliance by lime scale deposits. In addition, the guarantee does not cover consumables, such as: seals, light bulbs, glass panels, decorative parts and parts consumed during use.

Guarantee rights will also be invalidated in the event of damage arising as a result of incorrect installation, or installation which has not been carried out by an Authorised Customer Assistance Service.



## INTERNATIONAL

### UNOX S.p.A.

Via Majorana 22 / 35010 Cadoneghe (PD) Italy  
Tel +39 049 8657511 / Fax +39 049 8657555  
[info@unox.com](mailto:info@unox.com)



INVENTIVE SIMPLIFICATION

## EUROPE

### ITALIA

UNOX S.p.A.  
E-mail: [info@unox.it](mailto:info@unox.it)  
Tel.: +39 049 86 57 511

ČESKÁ REPUBLIKA  
UNOX DISTRIBUTION s.r.o.  
E-mail: [info.cz@unox.com](mailto:info.cz@unox.com)  
Tel.: +420 241 940 000

РОССИЯ, ПРИБАЛТИКА И СТРАНЫ СНГ  
UNOX ROSSIA  
E-mail: [info.ru@unox.com](mailto:info.ru@unox.com)  
Tel.: +7 (499) 702-00-14

ESPAÑA  
UNOX PROFESIONAL ESPAÑA S.L.  
E-mail: [info.es@unox.com](mailto:info.es@unox.com)  
Tel.: +34 900 82 89 43

SCANDINAVIAN COUNTRIES  
UNOX SCANDINAVIA AB  
E-mail: [info.se@unox.com](mailto:info.se@unox.com)  
Tel.: +46 (0)768 716 422

UNITED KINGDOM  
UNOX UK Ltd.  
E-mail: [info@unoxuk.com](mailto:info@unoxuk.com)  
Tel.: +44 1252 851 522

PORTUGAL  
UNOX PORTUGAL  
E-mail: [info.pt@unox.com](mailto:info.pt@unox.com)  
Tel.: +351 918 228 787

### DEUTSCHLAND

UNOX DEUTSCHLAND GmbH  
E-mail: [info.de@unox.com](mailto:info.de@unox.com)  
Tel.: +49 2951 98760

FRANCE, BELGIUM & LUXEMBOURG  
UNOX FRANCE s.a.s.  
E-mail: [info@unox.fr](mailto:info@unox.fr)  
Tel.: +33 4 78 17 35 39

ÖSTERREICH  
UNOX ÖSTERREICH GmbH  
E-mail: [bestellung@unox.com](mailto:bestellung@unox.com)  
Tel.: +43 800 880 963

HRVATSKA  
UNOX CROATIA  
E-mail: [narudzbe@unox.com](mailto:narudzbe@unox.com)  
Tel.: +39 049 86 57 538

TÜRKİYE  
UNOX TURKEY Profesyonel Mutfaç  
Ekipmanları Endüstri ve Ticaret Limited Şirketi  
E-mail: [info.tr@unox.com](mailto:info.tr@unox.com)  
Tel.: +90 530 176 62 03

IRELAND  
UNOX IRELAND  
E-mail: [info.ie@unox.com](mailto:info.ie@unox.com)  
Tel.: +353 (0) 87 32 23 218

БЪЛГАРИЯ  
UNOX BULGARIA  
E-mail: [info.bg@unox.com](mailto:info.bg@unox.com)  
Tel.: +359 88 23 13 378

## ASIA & AFRICA

MALAYSIA & SINGAPORE  
UNOX (ASIA) SDN. BHD  
E-mail: [Info.asia@unox.com](mailto:Info.asia@unox.com)  
Tel.: +603-58797700

OTHER ASIAN COUNTRIES  
UNOX (ASIA) SDN. BHD  
E-mail: [Info.asia@unox.com](mailto:Info.asia@unox.com)  
Tel.: +603-58797700

PHILIPPINES  
UNOX PHILIPPINES  
E-mail: [Info.asia@unox.com](mailto:Info.asia@unox.com)  
Tel.: +63 9173108084

대한민국  
UNOX KOREA CO. Ltd.  
이메일: [Info.asia@unox.com](mailto:Info.asia@unox.com)  
전화: +82 2 69410351

## AMERICA & OCEANIA

U.S.A. & CANADA  
UNOX Inc.  
E-mail: [Info.usa@unox.com](mailto:Info.usa@unox.com)  
Tel.: +1 800 489 8669

MEXICO  
UNOX MEXICO, S. DE R.L. DE C.V.  
E-mail: [Info.mx@unox.com](mailto:Info.mx@unox.com)  
Tel.: +52 1555 4314 180

BRAZIL  
UNOX BRAZIL  
E-mail: [Info.br@unox.com](mailto:Info.br@unox.com)  
Tel.: +55 11 98717-8201

U.A.E.  
UNOX MIDDLE EAST DMCC  
E-mail: [Info.uae@unox.com](mailto:Info.uae@unox.com)  
Tel.: +971 55 426 3167

SOUTH AFRICA  
UNOX SOUTH AFRICA  
E-mail: [Info.sa@unox.com](mailto:Info.sa@unox.com)  
Tel.: +27 845 05 52 35

INDONESIA  
UNOX INDONESIA  
E-mail: [Info.asia@unox.com](mailto:Info.asia@unox.com)  
Tel.: +62 81908852999

中华人民共和国  
UNOX TRADING (SHANGHAI) CO. Ltd.  
电子邮件: [info.china@unox.com](mailto:info.china@unox.com)  
电话: +86 21 56907696

COLOMBIA  
UNOX COLOMBIA  
E-mail: [Info.co@unox.com](mailto:Info.co@unox.com)  
Tel.: +57 350 65 88 204

AUSTRALIA  
UNOX AUSTRALIA PTY Ltd.  
E-mail: [Info@unoxaustralia.com.au](mailto:Info@unoxaustralia.com.au)  
Tel.: +61 3 9876 0803

NEW ZEALAND  
UNOX NEW ZEALAND Ltd.  
E-mail: [Info@unox.co.nz](mailto:Info@unox.co.nz)  
Tel.: +64 (0) 800 76 0803

L11051B0.D00-LDI-01 - Printed: 01-2019  
All images used are for illustrative purposes only.  
All features indicated in this catalogue may be subject to change and could be updated without notice.

UNOX.COM | FOLLOW US ON

